



DLD0765-I 7" TFT LCD, 1000 nits LED Backlight, 1024x600

The DLD0765-I is a 7 inch industrial grade sunlight readable LCD, with high brightness 1000 nits, it produces sharp images, crisp text and lifelike colors. The Durapixel LED backlight technology ensures high reliability and low power consumption, suitable for outdoor application, kiosk, factory automation, military, transportation and gaming application.

Key Features

- High brightness 1000 nits
- Sunlight readable
- Resolutions: 1024x600
- LED Backlight
- Aspect ratio of 16:9
- Wide temperature (-20°C ~ 70 °C)
- Low power consumption
- BL MTBF: 100,000 hours



Specifications

Model Name	DLD0765-I
Description	7" TFT LCD, LED Backlight 1000 nits, 1024x600
Screen Size	7"
Display Area (mm)	154.21(H) x 85.92(V) mm
Brightness (Typical)	1000 cd/m2
Resolution	1024x600
Aspect Ratio	16 : 9
Contrast Ratio (Typical)	1100 : 1
Pixel Pitch (mm)	0.1506(H) x 0.1432(V)
Pixel Pre Inch (PPI)	170
Viewing Angle	160°(H),130°(V)
Color Saturation (NTSC)	66%
Display Colors	16.7M
Response Time (Typical)	25ms
Panel Interface	LVDS
Input Interface	VGA,DVI-D,HDMI
Input Power	DC12V
Power Consumption	6W
OSD Key	4 Keys (Power Switch, Menu, +, -)
OSD Control	Brightness, Color, Contrast, Auto Turing, H/V Position...etc
Dimensions (mm)	190.4x128.4x41.5 mm
Bezel Size(U/B/L/R)	19.38/23.1/18.2/17.99 mm
Mounting	75x75 mm
Weight (Net)	0.8 kg
Operating Temperature	-20 °C ~ 70 °C
Storage Temperature	-30 °C ~ 80 °C

DLD= Panel + LED Driving Board + AD Control Board + Chassis

Specifications are subject to change without notice.

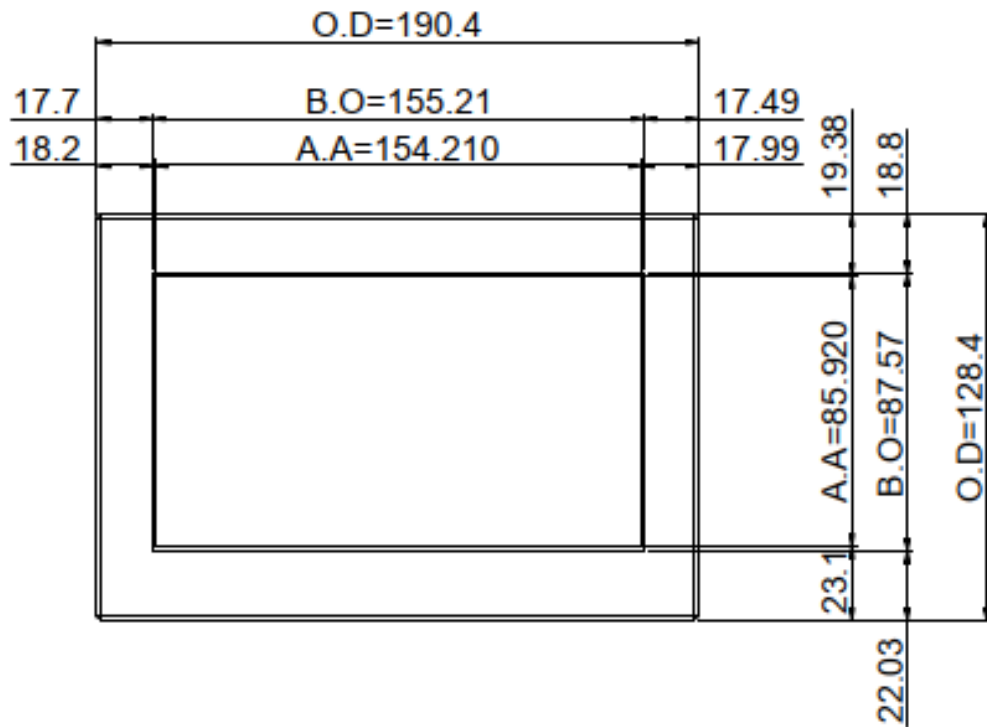
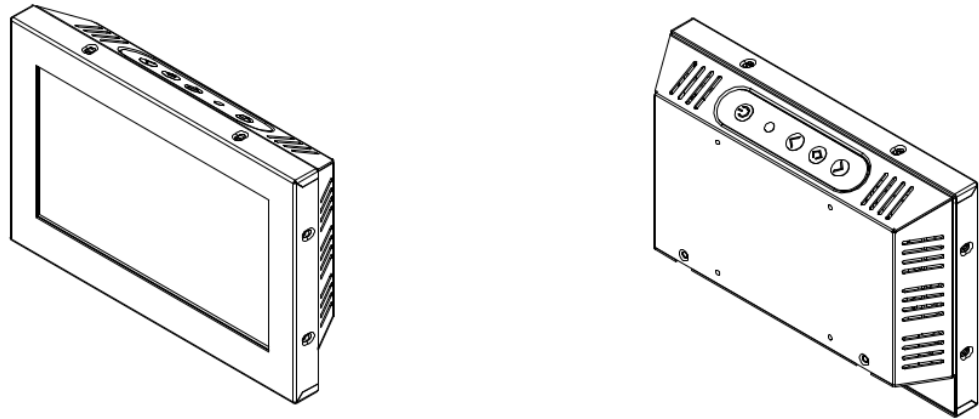
All brands or product names are trademarks or registered trademarks of their respective companies.



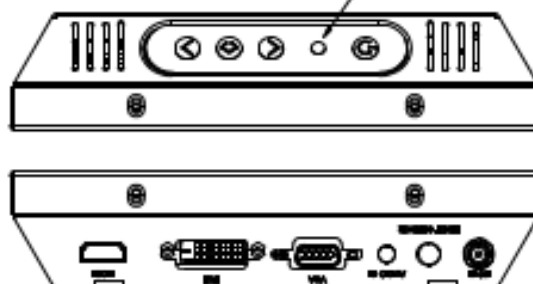
Mechanical Drawing

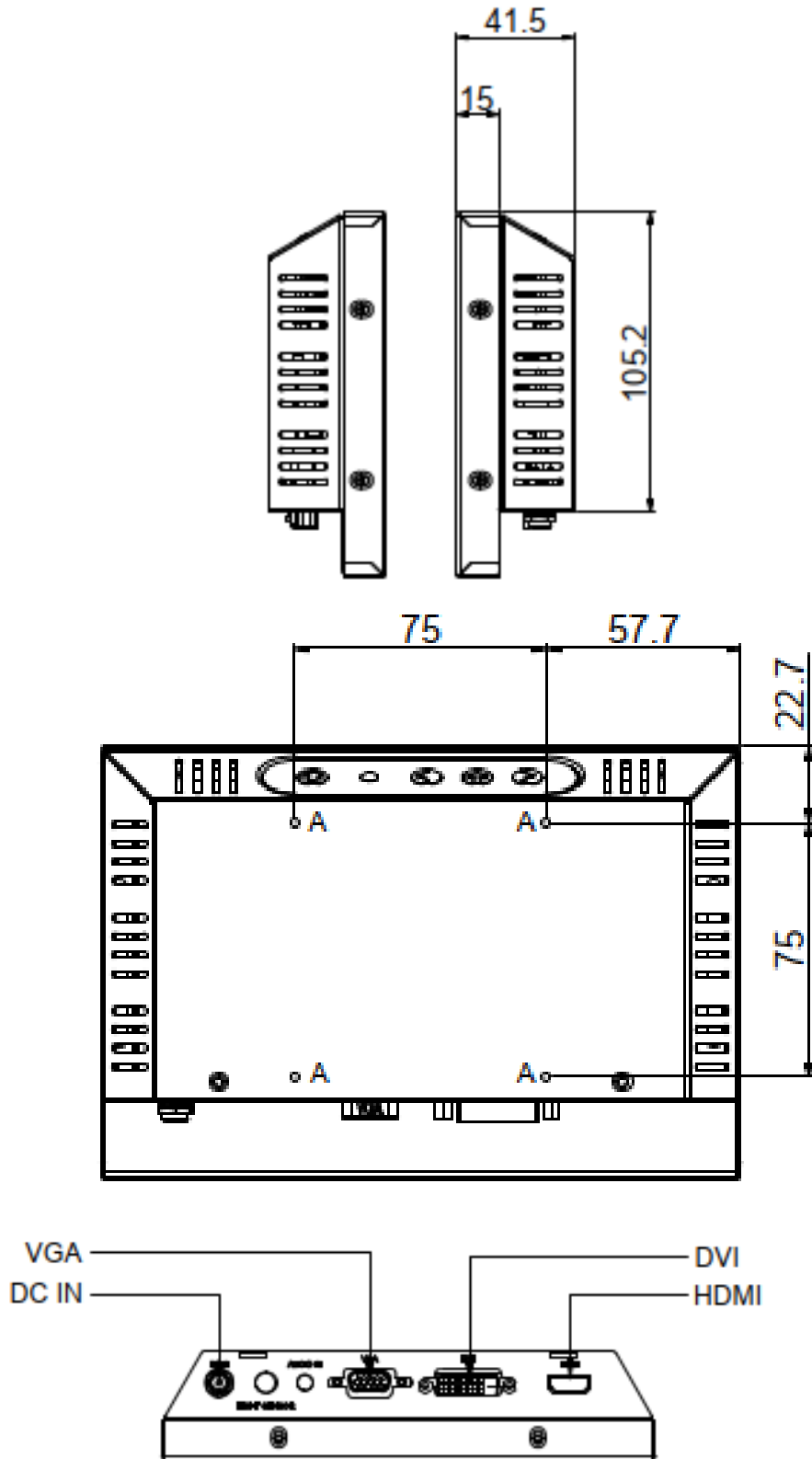
Outline Dimensions

Unit:mm



Membrane 4 KEYS





NOTE :
 O.D : OUTLINE DIMENSION
 B.O : BEZEL OPENING
 A.A : LCD ACTIVE AREA

A : 4-M4_USER_HOLE_MAX. DEPTH=3mm



Ordering Information

Part Number	Description
DLD0765-INB-Q11	7",1000nits,1024*600,T2070,LID7B.AD8891G-DH,O/B,DC12V,5in1.V1

Optional Accessories

Part Number	Description
840612031102	ADAPTER.12V,3.33A.40W.G99-KPL040F-L001.Level 6,DC Plug 2.1*5.5,P
810618301010	CABLE,POWER,AC,1830mm USA type
810618301090	CABLE,POWER,AC,1830mm Europe type
810618301050	CABLE,POWER,AC,1830mm UK type
810618301170	CABLE,POWER,AC,1830mm Australia type
810618301030	CABLE,POWER,AC,1830mm Japan type

By Customer Request

Touch	PCT (Multi-Touch)
Glass	Tempered glass, AR coating.....