



ULO2302-BGW-I11

23" TFT LCD, 400nits LED Backlight, MaxRGB,1920x1080

The ULO2302-BGW-I11 is a 23 inch industrial grade and HCS (High Color Saturation) LCD, with brightness 400 nits and high color saturation, it produce sharp images, crisp text and lifelike colors. The Ubipixel LED backlight technology ensures high reliability and low power consumption, suitable for factory automation, transportation and gaming application.

Key Features

- Brightness 400 nits
- LED Backlight
- Cover Glass
- Low Power Consumption
- High Color Saturation
- BL MTBF: 100,000 hours



Specifications

Model Name	ULO2302-BGW-I11
Description	23" TFT LCD, 400 nits LED Backlight, MaxRGB, 1920x1080
Screen Size	23"
Display Area (mm)	509.2 (H) x 286.4(V)
Brightness (Typical)	400 cd/m2
Resolution	1920x1080
Aspect Ratio	16 : 9
Contrast Ratio (Typical)	1200 : 1
Pixel Pitch (mm)	0.2652(H) x 0.2652(V)
Pixel Per Inch (PPI)	96
Viewing Angle	178°(H),178°(V)
Color Saturation (NTSC)	91%
Display Colors	16.7M
Response Time (Typical)	14ms
Panel Interface	LVDS
AD Board Input Interface	DVI-I, DP
Input Power	DC12V
Power Consumption	22W
OSD Key	4 Keys (Power Switch, Menu, +, -)
OSD Control	Brightness, Color, Contrast, Auto Turing, H/V Position...etc
Dimensions (mm)	536.2 x 317.9 x 55.4
Bezel Size(U/B/L/R)	15.75/15.75/13.8/13.8
Weight (Net)	7kg
Mounting	100x100, 75x75
Operating Temperature	0 °C ~ 50 °C
Storage Temperature	-20 °C ~ 60 °C

ULO= Panel+ LED Driving Board + AD Control Board + Chassis + Cover Glass

Specifications are subject to change without notice.

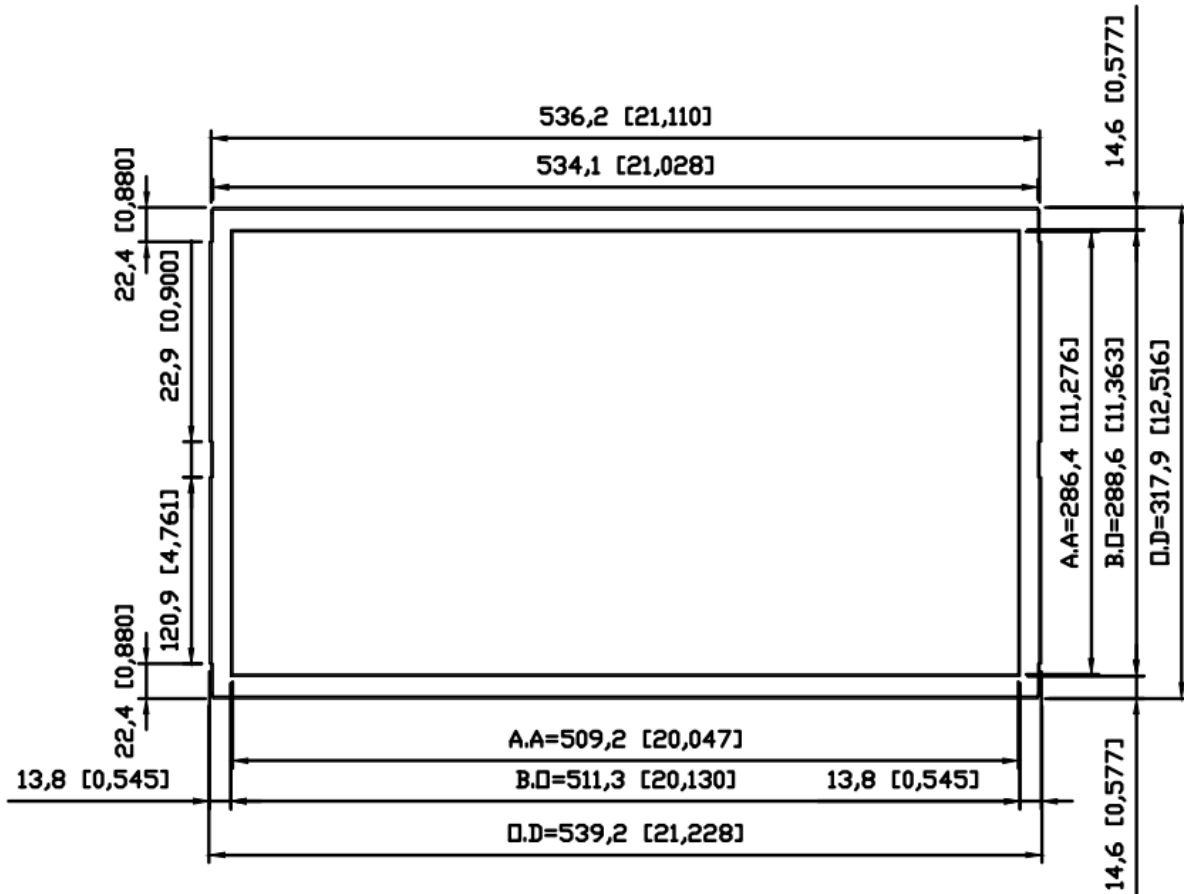
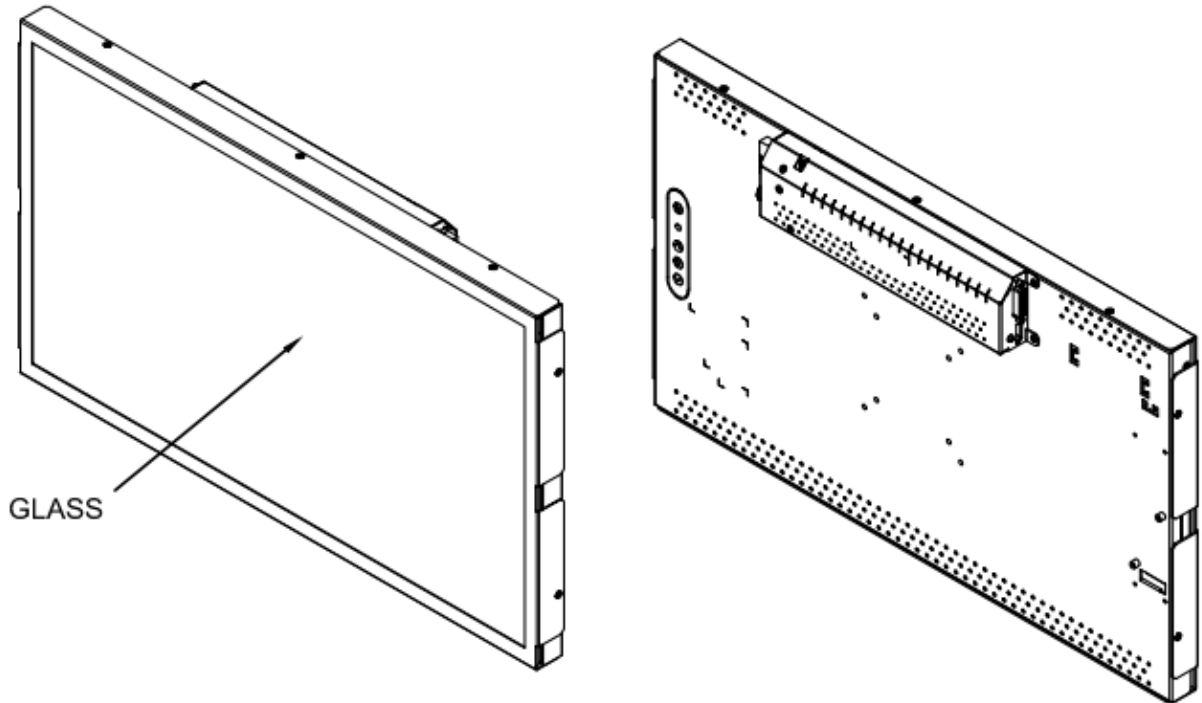
All brands or product names are trademarks or registered trademarks of their respective companies.

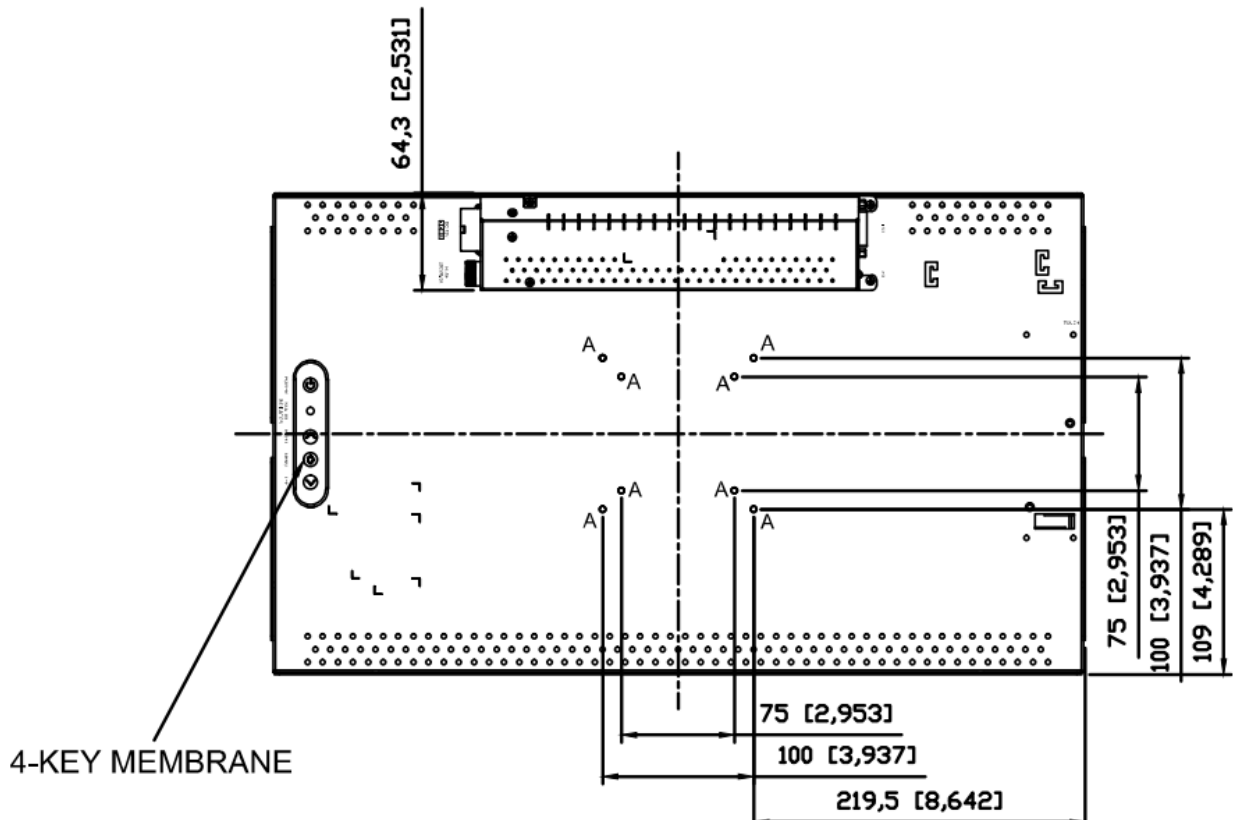
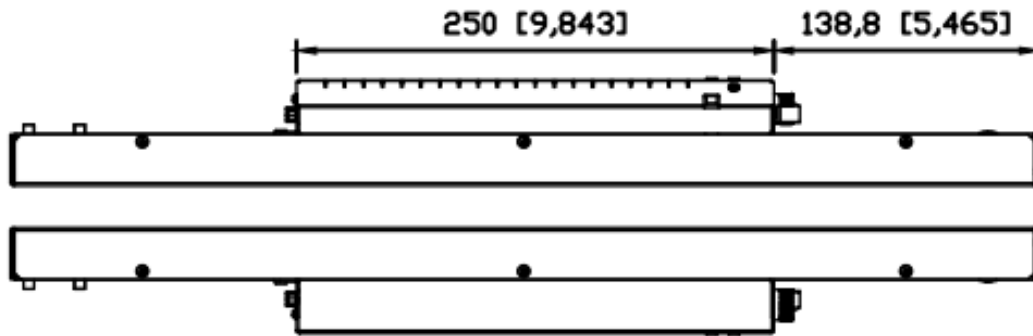


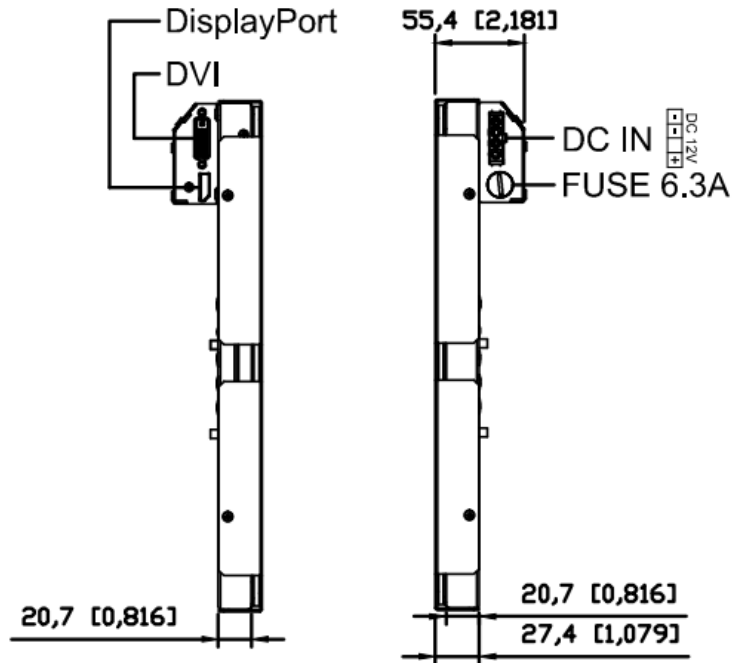
Mechanical Drawing

Outline Dimensions

Unit: mm







Note :
 O.D : Outline Dimension
 B.O : Bezel Opening
 A.A : LCD Active Area
 A:8-M4_USER_HOLE_MAX_DEPTH=6mm

Ordering Information

Part Number	Description
ULO2302-BGW-I11	23",400nits,FHD,MaxRGB.3mm,Tempered Glass(T=90%),AD6038GDP+LID,O/B-4key,DC12V,3in1,V1(DLP2302-BGW-I01)

Optional Accessories

Part Number	Description
810618301010	CABLE.POWER.AC.1830mm USA type
810618301090	CABLE,POWER,AC,1830mm Europe type
810618301050	CABLE.POWER.AC.1830mm UK type
810618301170	CABLE.POWER,AC,1830mm Australia type
810618301031	CABLE.POWER.AC.1830mm Japan type

By Customer Request

Touch	PCT, SCT, Resistive.....