



## SSD2955-I

### 29.5" Resizing LCD, 1000 nits LED backlight, 2160 x 2160 Square aspect ratio 1:1

The SSD2955-I is a 29.5 inch color TFT-LCD display with special aspect ratio 1:1 and wide resolution 2160 x 2160. It is Litemax's Spanixel series product which designed for high brightness 1000 nits with power efficiency LED backlight. It provides LCD panel with specific aspect ratios and sunlight readable for digital signage, public transportation, exhibition hall, department store, and vending machine.

#### Key Features

- Resizing LCD
- Square Screen (1 : 1)
- High Brightness 1000 nits
- Sunlight Readable
- LED Backlight
- Slim Bezel
- BL MTBF: 100,000 hours



### Specifications

Model Name	SSD2955-I
Description	29.5" Resizing LCD, 1000 nits LED backlight, 2160x2160
Screen Size	29.5"
Display Area (mm)	529.4(H) x 529.4(V)
Brightness (Typical)	1000 cd/m <sup>2</sup>
Resolution	2160x2160
Aspect Ratio	1 : 1
Contrast Ratio (Typical)	5800 : 1
Pixel Pitch (mm)	0.2451(H) x 0.2451(V)
Pixel Per Inch (PPI)	104
Viewing Angle	178°(H),178°(V)
Color Saturation (NTSC)	83%
Display Colors	1.07G
Response Time (Typical)	9.5ms
Panel Interface	V-by-One
Video Interface	HDMI, DP
Input Power	DC12V
Power Consumption	76W
OSD Key	5 Keys (Power Switch, Menu, +, Exit, -)
OSD Control	Brightness, Color, Contrast, Auto Turing, H/V Position...etc
Dimensions (mm)	564.5 x 564.5 x 61.4
Bezel Size(U/B/L/R)	17.5/17.5/17.5/17.5
Mounting	100x100, 200x200
Weight (Net)	9.6kg
Operating Temperature	0 °C ~ 50 °C
Storage Temperature	-20 °C ~ 60 °C

**SSD**= Panel + LED Driving Board + AD Control Board + Chassis

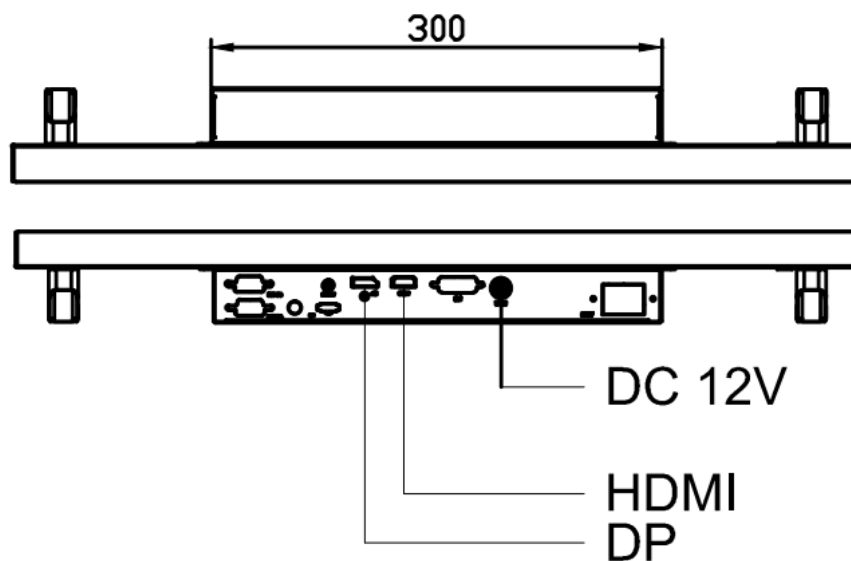
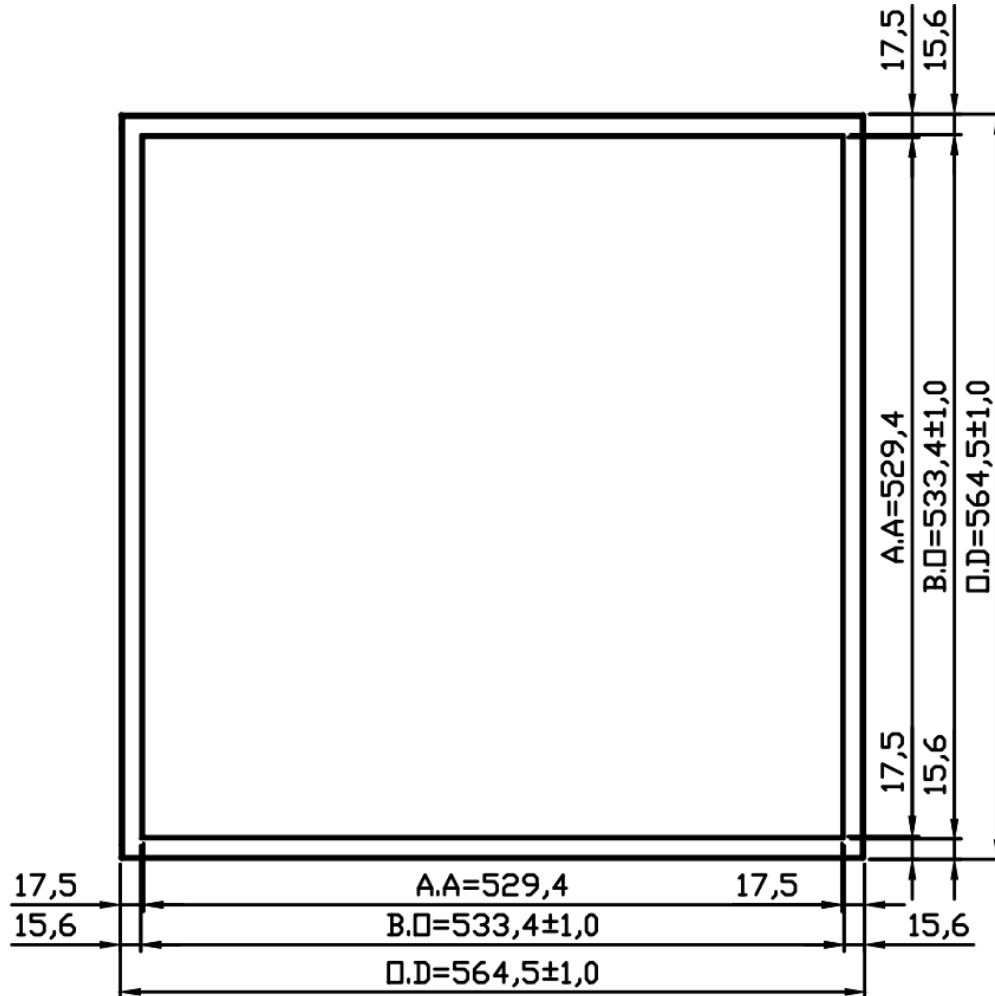
Specifications are subject to change without notice.  
All brands or product names are trademarks or registered trademarks of their respective companies.

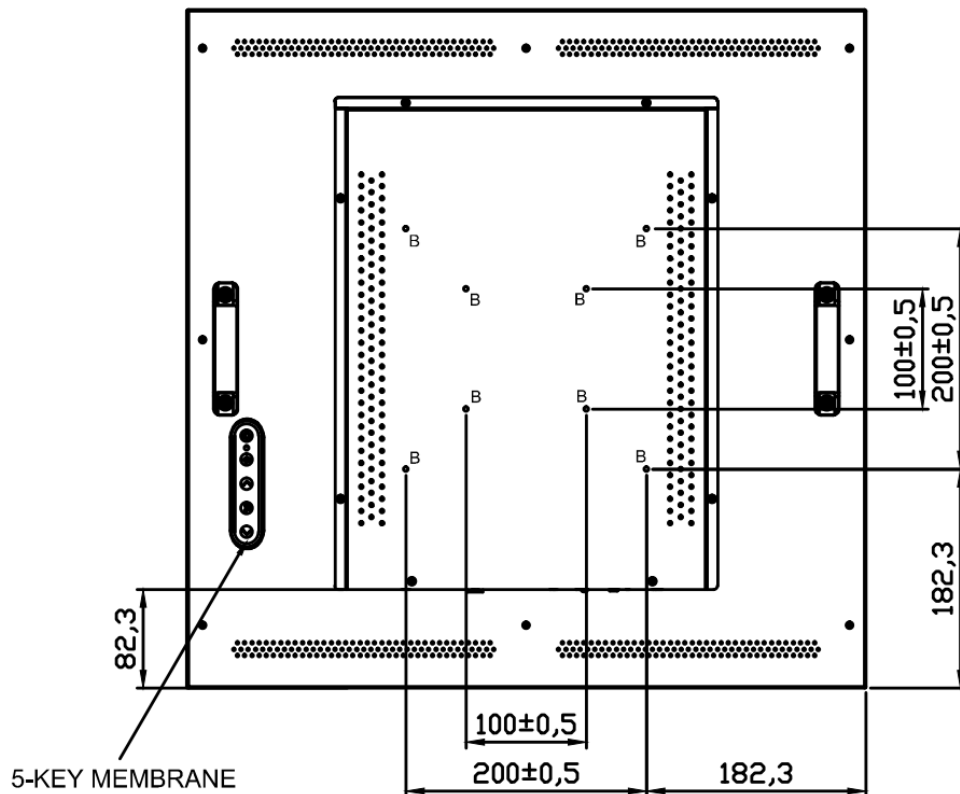
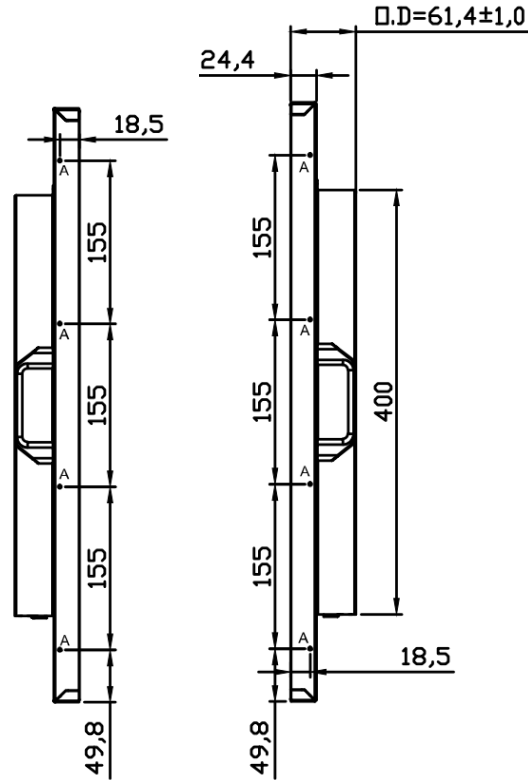


## Mechanical Drawing

Outline Dimensions

Unit: mm





Note :

O.D : Outline Dimension

B.O : Bezel Opening

A.A : LCD Active Area

A:8-M3\_USER\_HOLE\_MAX\_DEPTH=7mm

B:8-M4\_USER\_HOLE\_MAX\_DEPTH=6mm



**Ordering Information**

Part Number	Description
<b>SSD2955-INU-M11</b>	29.5",1000nits,2160*2160,LID29C/12V,AD9131HP/12V,O/B,DC12V,2in1,V1

**Optional Accessories**

Part Number	Description
<b>810618301010</b>	CABLE,POWER.AC,1830mm USA type
<b>810618301090</b>	CABLE,POWER,AC,1830mm Europe type
<b>810618301050</b>	CABLE,POWER,AC,1830mm UK type
<b>810618301170</b>	CABLE,POWER,AC,1830mm Australia type
<b>810618301031</b>	CABLE,POWER,AC,1830mm Japan type

**By Customer Request**

<b>Glass</b>	Tempered glass, AR coating.....
--------------	---------------------------------