



## ULO1045-M

### 10.4" TFT LCD, 1000nits LED Backlight, 1024x768

The ULO1045-M is a 10.4 inch industrial grade LCD, with high brightness 1000 nits, it produce sharp images, crisp text and lifelike colors. The Ubipixel LED backlight technology ensures high reliability and low power consumption, suitable for outdoor application, kiosk, factory automation, military, transportation and gaming application.

#### Key Features

- High brightness 1000nits
- Sunlight readable
- Resolutions: 1024x768
- LED Backlight
- Aspect ratio of 4:3
- Wide temperature (-30 °C~80 °C)
- Low power consumption
- BL MTBF: 50,000 hours



### Specifications

Model Name	ULO1045-M
Description	10.4" TFT LCD, 1000 nits LED Backlight, 1024x768
Screen Size	10.4"
Display Area (mm)	210.43(H) x 157.82(V)
Brightness (Typical)	1000 cd/m <sup>2</sup>
Resolution	1024x768
Aspect Ratio	4:3
Contrast Ratio (Typical)	1100 : 1
Pixel Pitch (mm)	0.2055(H) x 0.2055 (V)
Pixel Pre Inch (PPI)	123
Viewing Angle	176°(H),176°(V)
Color Saturation (NTSC)	77%
Display Colors	16.2M
Response Time (Typical)	25 ms
Panel Interface	LVDS
AD Board Input Interface	HDMI,DP
AD Board Input Power	DC12V
Power Consumption	6.8W
OSD Key	4 Keys (Power Switch, Menu, +, -)
OSD Control	Brightness, Color, Contrast, Auto Turing, H/V Position...etc
Dimensions (mm)	243.2x 180.8x 52.0
Bezel Size(U/B/L/R)	11.49/11.49/16.39/16.38
Weight (Net)	1.76 Kg
Mounting	75 X 75 mm
Operating Temperature	-30 °C ~ 80 °C
Storage Temperature	-30 °C ~ 80 °C

ULO= Panel + LED Driving Board + AD Control Board + Chassis

Specifications are subject to change without notice.

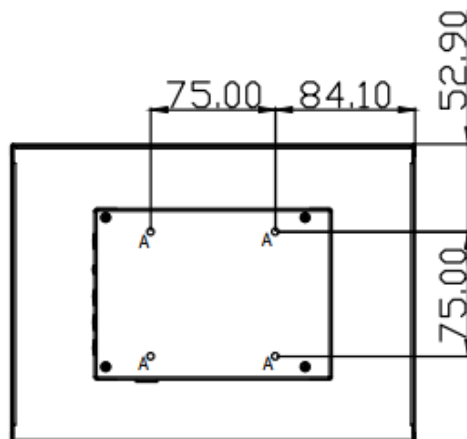
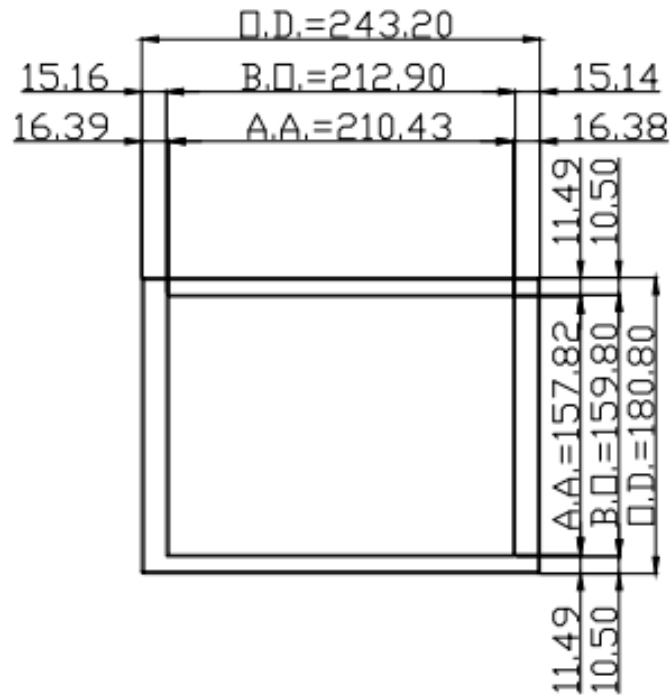
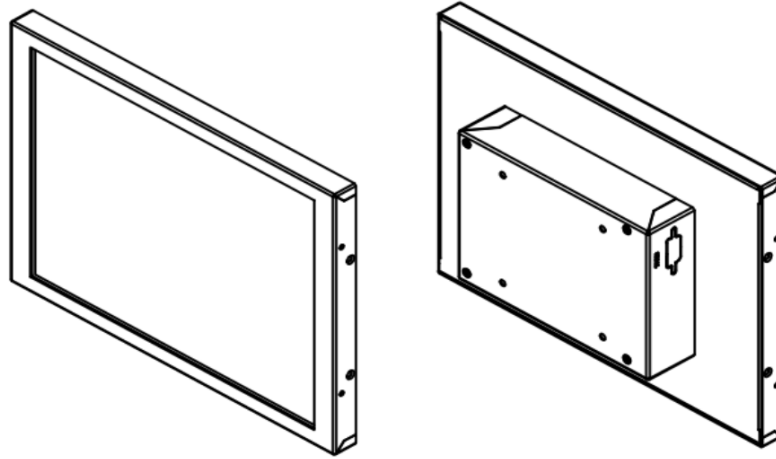


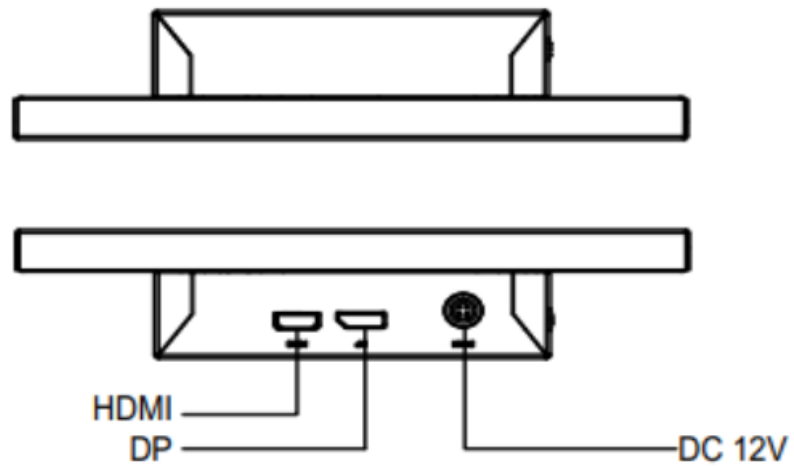
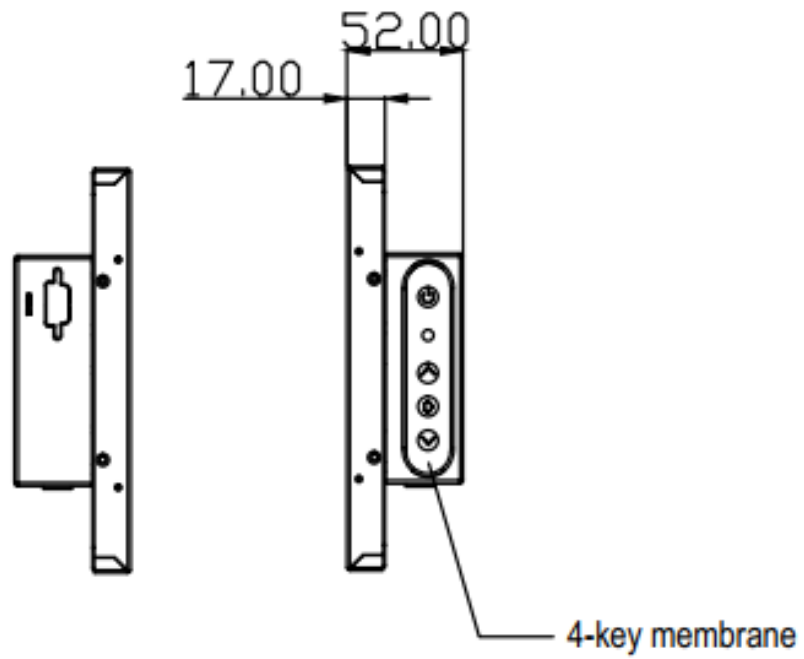
All brands or product names are trademarks or registered trademarks of their respective companies.

## Mechanical Drawing

### Outline Dimensions

Unit:mm





Note :  
O.D. : OUTLINE DIMENSION  
B.O. : BEZEL OPENING  
A.A. : LCD ACTIVE AREA  
A : 4-M4\_USER HOLE\_MAX Depth=5mm



### Ordering Information

Part Number	Description
<b>ULO1045-MXB-T11</b>	10.4",1000nits,1024x768,T3080,LID10C,AD68862HP,O/B,DC12V,5in1,V1

### Optional Accessories

Part Number	Description
<b>810618301010</b>	CABLE,POWER,AC,1830mm USA type
<b>810618301090</b>	CABLE,POWER,AC,1830mm Europe type
<b>810618301050</b>	CABLE,POWER.AC,1830mm UK type
<b>810618301170</b>	CABLE,POWER,AC,1830mm Australia type
<b>810618301031</b>	CABLE,POWER,AC,1830mm Japan type

### Customer request

<b>Touch</b>	PCT (Multi-Touch)
<b>Glass</b>	Tempered glass, AR coating.....