



## ULO2155-B 21.5" TFT LCD, 1000nits LED Backlight, 1920 x 1080

The ULO2155-B is a 21.5 inch industrial grade LCD, with high brightness 1000 nits, it produce sharp images, crisp text and lifelike colors. The Ubipixel LED backlight technology ensures high reliability and low power consumption, suitable for outdoor application, kiosk, factory automation, military, transportation and gaming application.

### Key Features

- Sunlight readable
- High brightness: 1000 nits
- Resolutions: 1920 x 1080
- LED Backlight
- Aspect ratio of 16:9
- Wide temperature (-20°C ~70°C)
- LCD Blacking Defect Free (Hi-Tni 105°C)
- Low power consumption
- BL MTBF: 30,000 hours



### Specifications

<b>Model Name</b>	<b>ULO2155-B</b>
<b>Description</b>	21.5" TFT LCD, 1000 nits LED Backlight, 1920 x 1080
<b>Screen Size</b>	21.5
<b>Display Area (mm)</b>	476.64(H) x 268.11(V)
<b>Brightness</b>	1000 cd/m <sup>2</sup>
<b>Resolution</b>	1920 x1080
<b>Aspect Ratio</b>	16:9
<b>Ultra high Contrast Ratio</b>	1300 : 1
<b>Pixel Pitch (mm)</b>	0.24825(H) x 0.24825(V)
<b>Pixel Pre Inch (PPI)</b>	102
<b>Viewing Angle</b>	178°(H),178°(V)
<b>Color Saturation (NTSC)</b>	82%
<b>Display Colors</b>	16.7M
<b>Response Time (Typical)</b>	14 ms
<b>Panel Interface</b>	LVDS
<b>AD Board Input Interface</b>	HDMI,DP
<b>AD Board Input Power</b>	DC24V
<b>Power Consumption</b>	40.4W
<b>OSD Key</b>	4 Keys (Power Switch, Menu, +, -)
<b>OSD Control</b>	Brightness, Color, Contrast, Auto Turing, H/V Position...etc
<b>Dimensions (mm)</b>	498.2x 294.8x 47.5
<b>Bezel Size(U/B/L/R)</b>	13.34/13.34/10.78/10.78
<b>Weight (Net)</b>	3.8 Kg
<b>Mounting</b>	75 x 75 、 100 x 100 mm
<b>Operating Temperature</b>	-20 °C ~ 70 °C
<b>Storage Temperature</b>	-20 °C ~ 70 °C

ULO= Panel + LED Driving Board + AD Control Board + Chassis

*Specifications are subject to change without notice.*

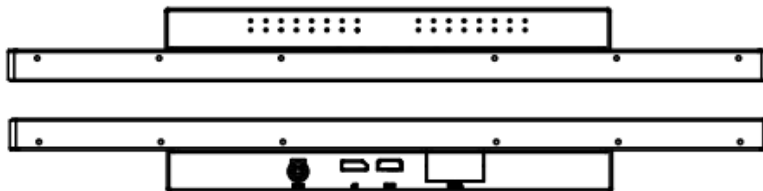
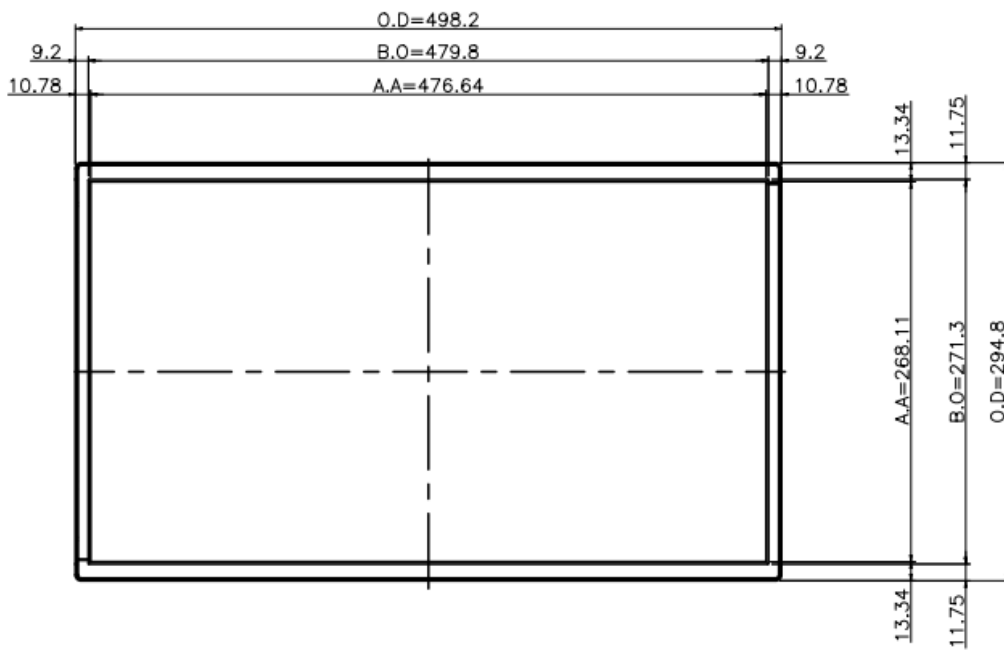
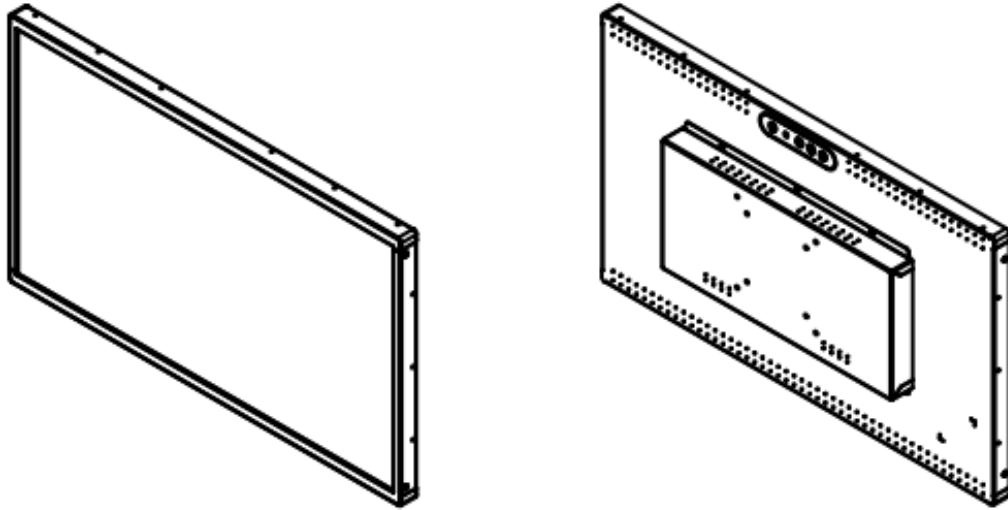
*All brands or product names are trademarks or registered trademarks of their respective companies.*

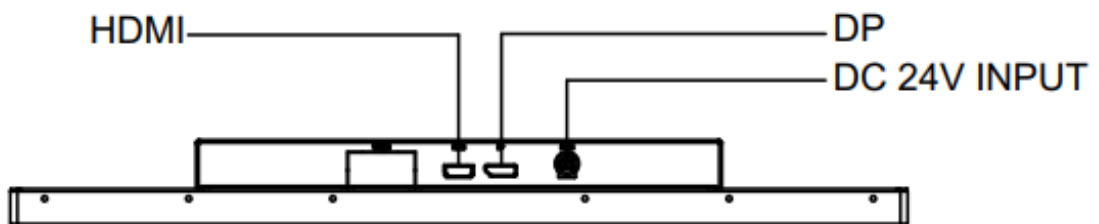
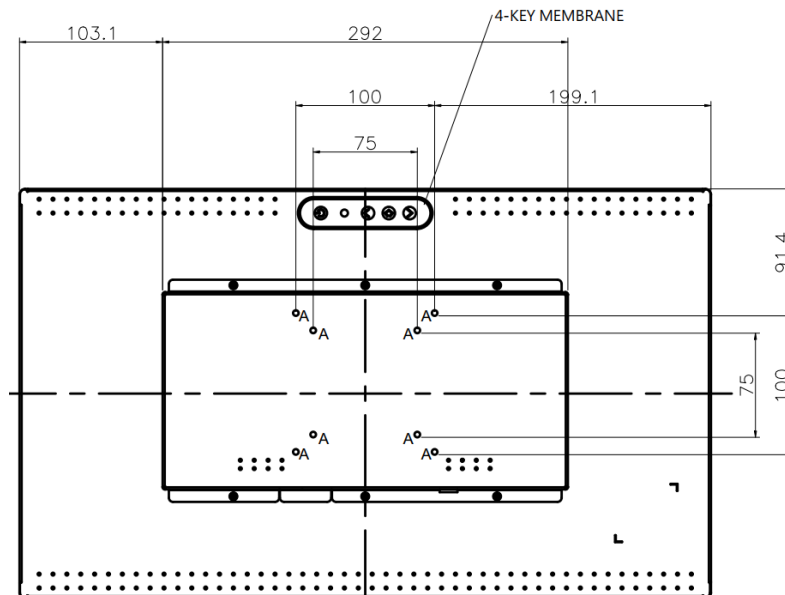
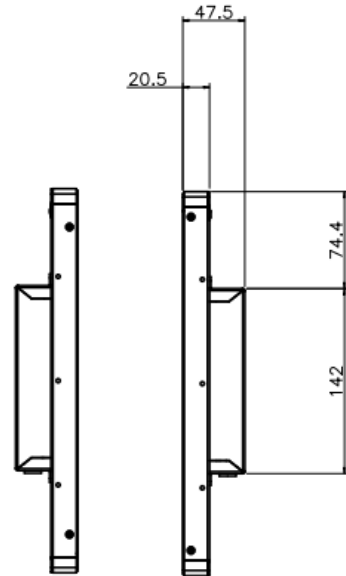


## Mechanical Drawing

### Outline Dimensions

Unit:mm





Note :  
 O.D. : Outline Dimension  
 B.O. : Bezel Opening  
 A.A. : LCD Active Area  
 A : 8-M4\_USER HOLE\_MAX\_DEPTH=5mm



### Ordering Information

Part Number	Description
<b>ULO2155-BHB-T11</b>	21.5",1000nits,1920x1080,T2070,HTni,LID On LCM,AD68862HP,O/B,DC24V,5in1,V1

### Optional Accessories

Part Number	Description
<b>810618301010</b>	CABLE,POWER,AC,1830mm USA type
<b>810618301090</b>	CABLE,POWER,AC,1830mm Europe type
<b>810618301050</b>	CABLE,POWER.AC,1830mm UK type
<b>810618301170</b>	CABLE,POWER,AC,1830mm Australia type
<b>810618301031</b>	CABLE,POWER,AC,1830mm Japan type

### Customer request

<b>Touch</b>	PCT (Multi-Touch)
<b>Glass</b>	Tempered glass, AR coating.....