



## ULO4303-B 43" TFT LCD, 500 nits LED Backlight, 1920x1080

The ULO4303-B is a 43 inch industrial grade LCD, with high brightness 500 nits, it produce sharp images, crisp text and lifelike colors. The Ubipixel LED backlight technology ensures high reliability and low power consumption, suitable for outdoor application, kiosk, factory automation, military, transportation and gaming application.

### Key Features

- High Brightness 500 nits
- LED Backlight
- Low Power Consumption
- BL MTBF: 30,000 hours



### Specifications

<b>Model Name</b>	<b>ULO4303-B</b>
<b>Description</b>	43" TFT LCD, 500nits LED Backlight, 1920x1080
<b>Screen Size</b>	43"
<b>Display Area (mm)</b>	940.9(H) x 529.25(V)
<b>Brightness (Typical)</b>	500 cd/m2
<b>Resolution</b>	1920x1080
<b>Aspect Ratio</b>	16:9
<b>Contrast Ratio (Typical)</b>	1400 : 1
<b>Pixel Pitch (mm)</b>	0.49005H) x 0.49005 (V)
<b>Pixel Pre Inch (PPI)</b>	51
<b>Viewing Angle</b>	178°(H),178°(V)
<b>Color Saturation (NTSC)</b>	82%
<b>Display Colors</b>	16.7M
<b>Response Time (Typical)</b>	8 ms
<b>Panel Interface</b>	LVDS
<b>Input Interface</b>	HDMI, DP
<b>Input Power</b>	DC 24V
<b>Power Consumption</b>	84W
<b>OSD Key</b>	4 Keys (Power Switch, Menu, +, -)
<b>OSD Control</b>	Brightness, Color, Contrast, Auto Turing, H/V Position...etc
<b>Dimensions (mm)</b>	964.7x 553.1 x 53.9
<b>Bezel Size(U/B/L/R)</b>	11.9/11.9/11.9/11.9
<b>Mounting</b>	300 x 200 mm
<b>Weight (Net)</b>	15Kg
<b>Operating Temperature</b>	0 °C ~ 50 °C
<b>Storage Temperature</b>	-20 °C ~ 60 °C

ULO= Panel + LED Driving Board + AD Control Board + Chassis

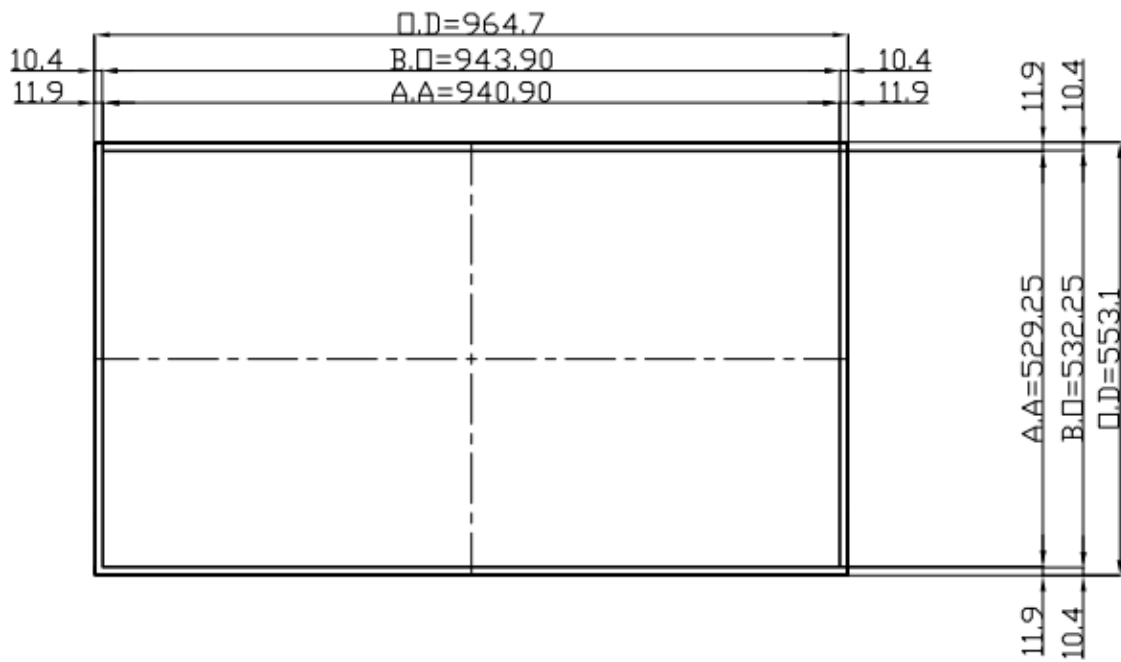
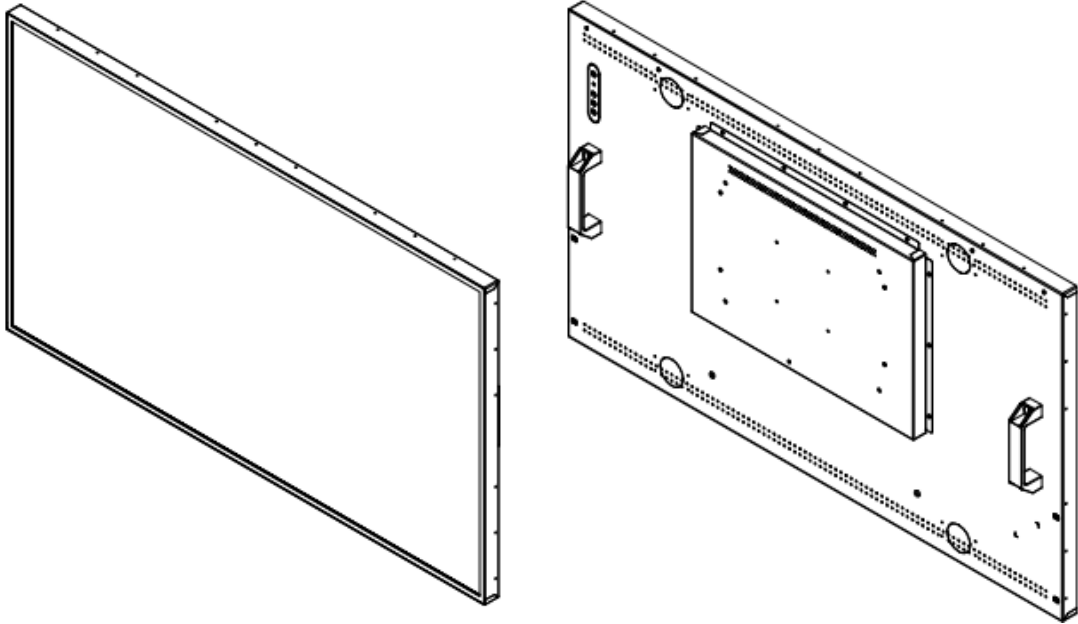
Specifications are subject to change without notice.  
All brands or product names are trademarks or registered trademarks of their respective companies.

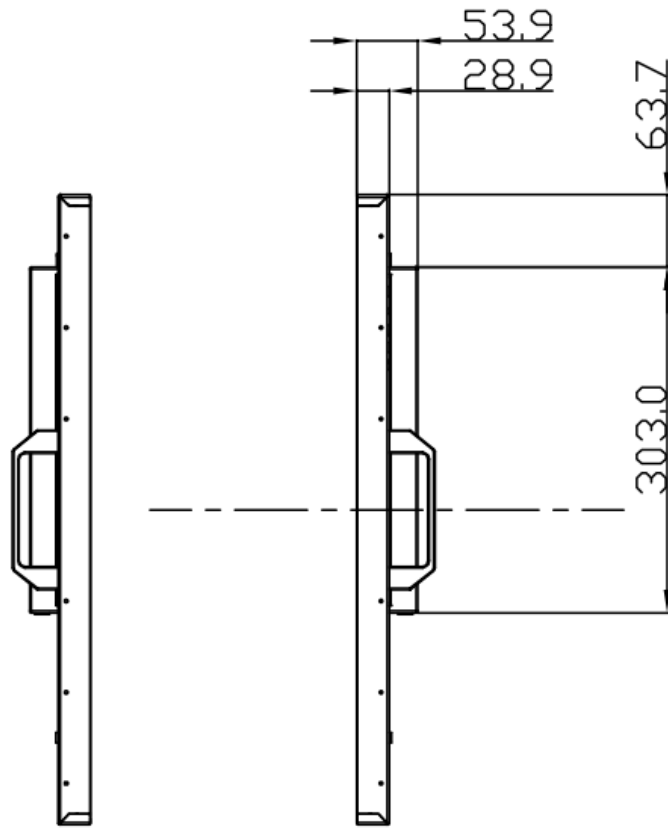


## Mechanical Drawing

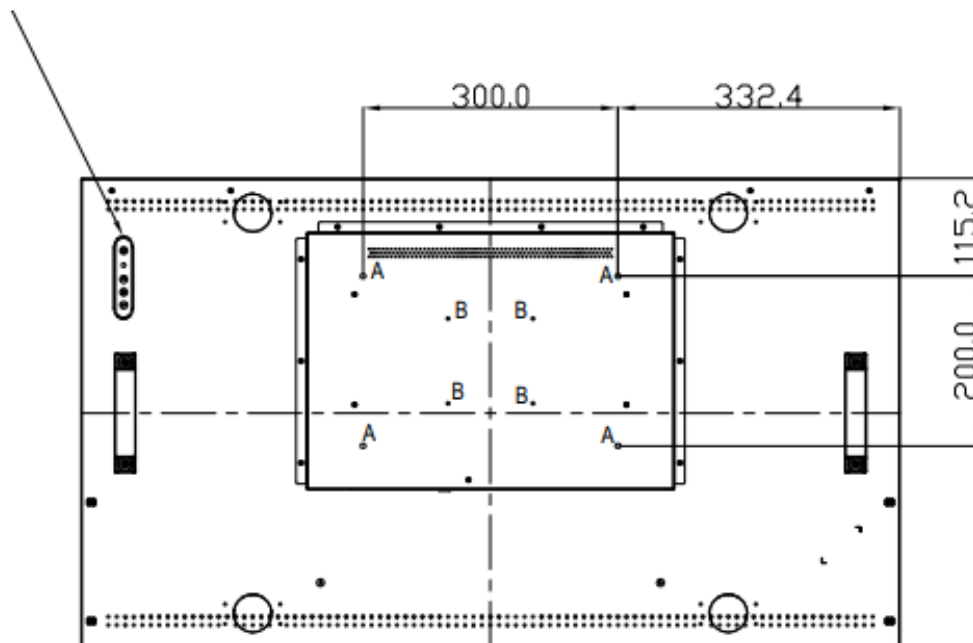
### Outline Dimensions

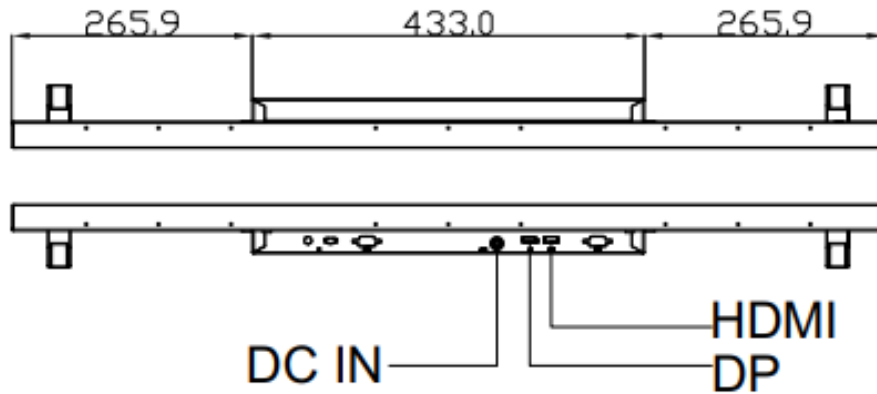
Unit: mm





### MEMBRANE 4-KEY





Note :

O.D. : Outline Dimension

B.O. : Bezel Opening

A.A. : LCD Active Area

A : 4-M6\_USER HOLE\_MAX\_DEPTH=8mm

B : 4-M4\_USER HOLE\_MAX\_DEPTH=4mm

### Ordering Information

Part Number	Description
ULO4303-BHB-T11	43",500nits,1920x1080,LID on LCM,AD68862HP,O/B,DC24V,V1
ULO4303-BHT-T11	43",500nits,1920x1080, T/GT-PCT-USB(T=85%),LID43C,AD68862HP,O/B,DC24V,V1

### Optional Accessories

Part Number	Description
810618301010	CABLE,POWER,AC,1830mm USA type
810618301090	CABLE,POWER,AC,1830mm Europe type
810618301050	CABLE,POWER,AC,1830mm UK type
810618301170	CABLE,POWER,AC,1830mm Australia type
810618301031	CABLE,POWER,AC,1830mm Japan type

### Customer request

Touch	SCT (Single-Touch), PCT (Multi-Touch)
Glass	Tempered glass, AR coating.....