



## ULF/ULH1565-I 15.6" TFT LCD, 1000nits LED Backlight, 1920 X 1080

The **ULF/ULH1565-I** is a **15.6** inch industrial grade LCD, with high brightness **1000 nits**, it produce sharp images, crisp text and lifelike colors. The Ubipixel LED backlight technology ensures high reliability and low power consumption, suitable for outdoor application, kiosk, factory automation, military, transportation and gaming application.

### Key Features

- High brightness 1000nits
- Sunlight readable
- Resolutions: 1920 x 1080
- LED Backlight
- Aspect ratio of 16:9
- Wide temperature (-20 °C ~ 70 °C)
- Low power consumption
- BL MTBF: 100,000 hours



### Specifications

<b>Model Name</b>	<b>ULF/ULH1565-I</b>
<b>Description</b>	15.6" TFT LCD, 1000 nits LED Backlight, 1920 x 1080
<b>Screen Size</b>	15.6"
<b>Display Area (mm)</b>	344.16(H) x 193.59(V)
<b>Brightness</b>	1000 cd/m <sup>2</sup>
<b>Resolution</b>	1920 x 1080
<b>Aspect Ratio</b>	16 : 9
<b>Ultra high Contrast Ratio</b>	1200:1
<b>Pixel Pitch (mm)</b>	0.17925(H) x 0.17925 (V)
<b>Pixel Pre Inch (PPI)</b>	141
<b>Viewing Angle</b>	178°(H),178°(V)
<b>Color Saturation (NTSC)</b>	81%
<b>Display Colors</b>	16.7M
<b>Response Time (Typical)</b>	25 ms
<b>Panel Interface</b>	LVDS
<b>AD Board Input Interface</b>	HDMI,DP
<b>AD Board Input Power</b>	DC12V
<b>Power Consumption</b>	18.4W (20.4W with AD Control Board)
<b>OSD Key</b>	4 Keys (Power Switch, Menu, +, -)
<b>OSD Control</b>	Brightness, Color, Contrast, Auto Turing, H/V Position...etc
<b>Dimensions (mm)</b>	363.8 x 215.9 x 9.3
<b>Bezel Size(U/B/L/R)</b>	11.16/11.16/9.82/9.82
<b>Weight (Net)</b>	1.25 Kg
<b>Operating Temperature</b>	-20 °C ~ 70 °C
<b>Storage Temperature</b>	-30 °C ~ 70 °C

**ULF**= Panel + LED Driving Board

**ULH**= Panel + LED Driving Board + AD Control Board

*Specifications are subject to change without notice.*

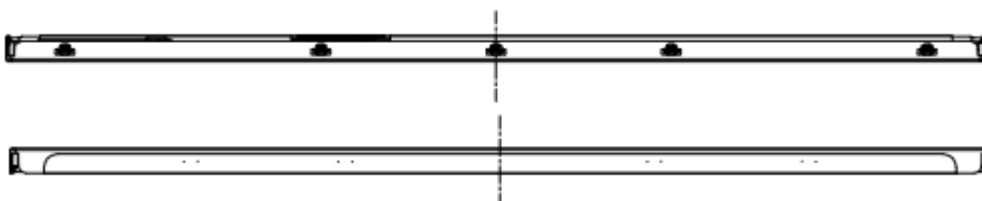
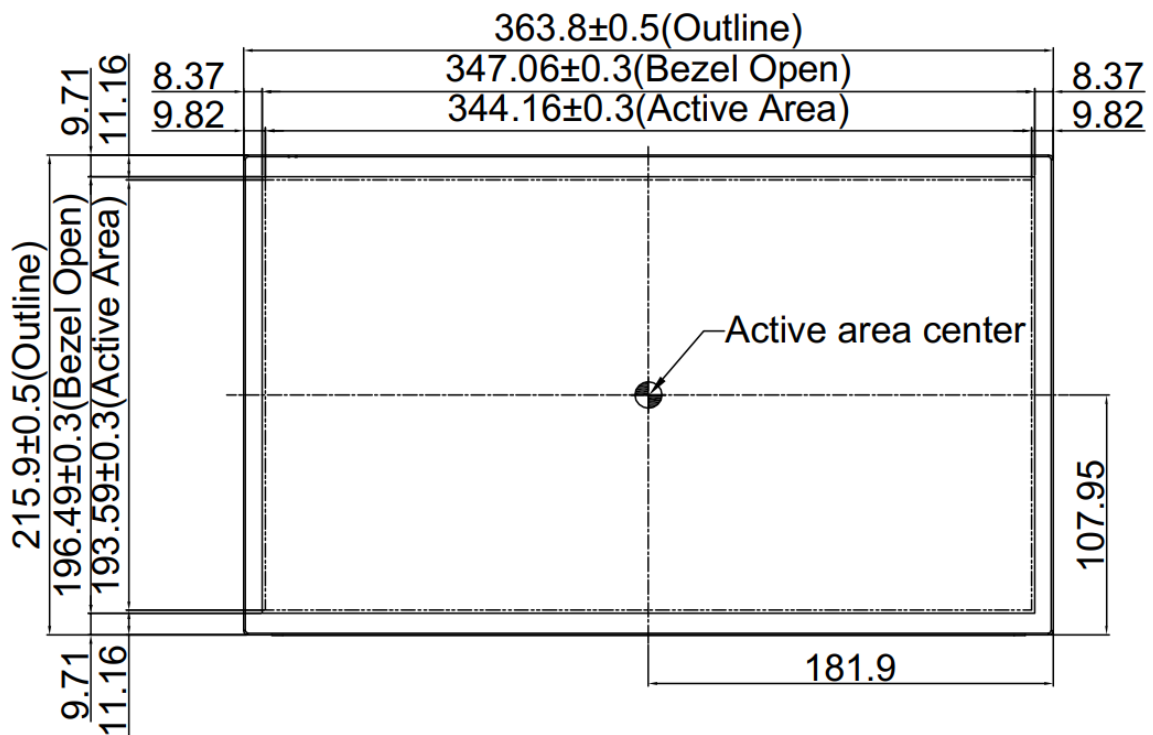
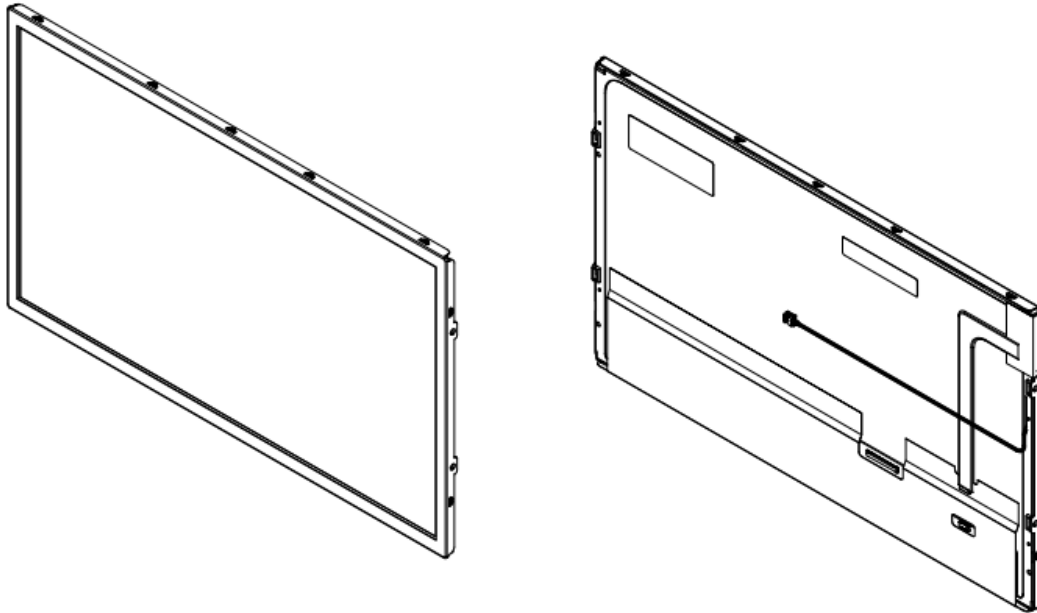
*All brands or product names are trademarks or registered trademarks of their respective companies.*

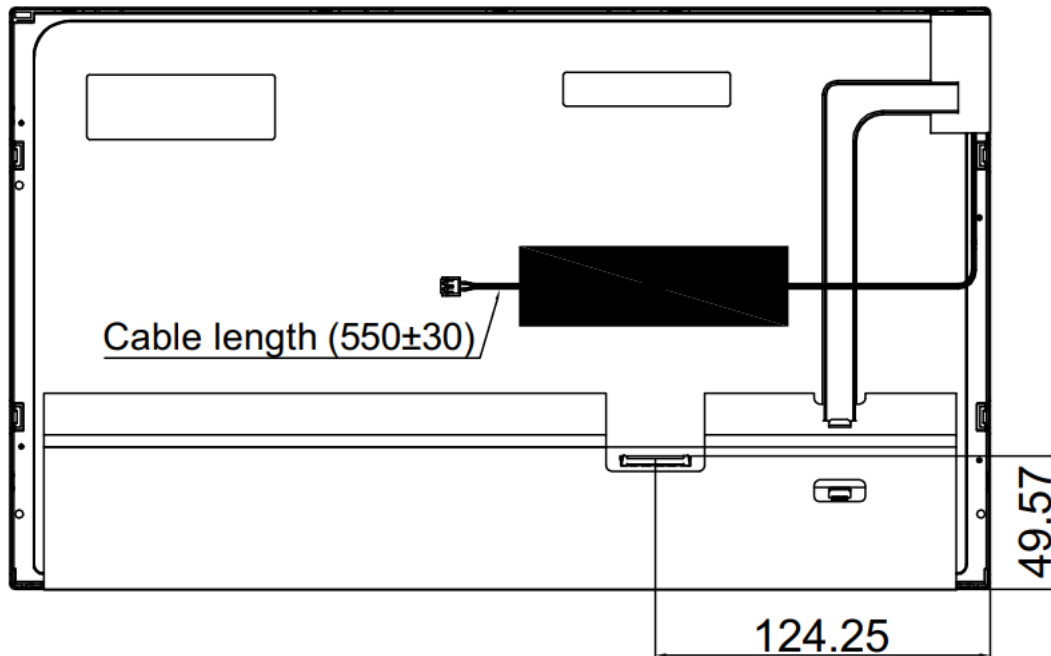
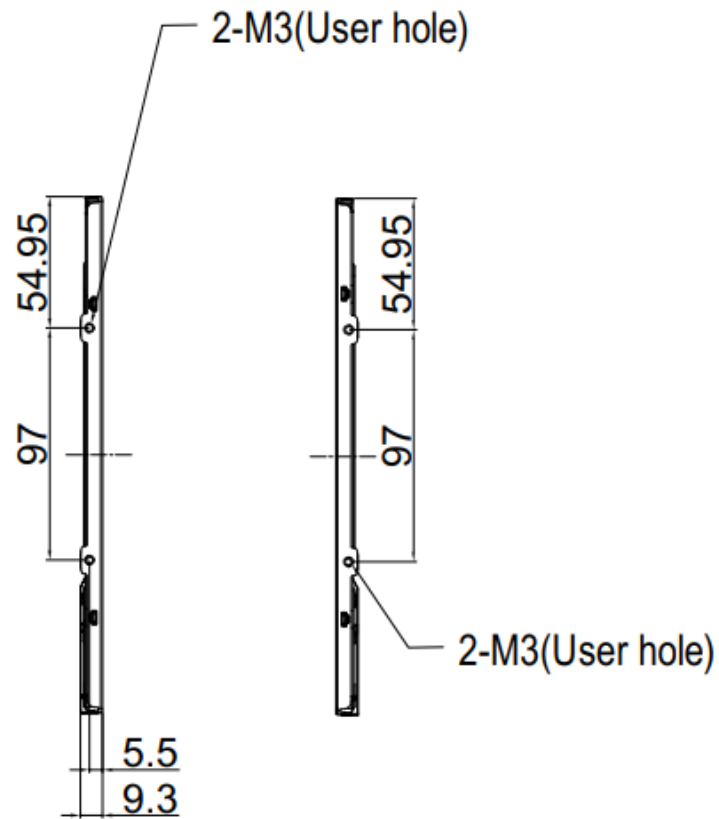


## Mechanical Drawing

### Outline Dimensions

Unit:mm





Note :

- 1.THE DIMENSION EXCLUDES DEFORMATION.
- 2.MODULE THICKNESS TO BE 9.30mm MAX.
- 3.LED B/L CONNECTOR : JST EHR-2 OR COMPATIBLE
- 4.M3 USER HOLE SCREW TORQUE 5.0 kgf- cm MAX , HOLE Depth 3.0mm Max.



### Ordering Information

Part Number	Description
<b>ULF1565-IHN-A11</b>	15.6",1000nits,1920x1080,T2070,LID15C,8in1,V1
<b>ULH1565-IHN-T11</b>	15.6",1000nits,1920x1080,T2070,LID15C,AD68862HP,DC12V,8in1,V1

### Optional Accessories

Part Number	Description
<b>84061205121</b>	ADAPTER,AC/DC,12V/5A,60W.Power-Din-4P,CWT.G99-ABF060F-N022.Efficiency-level-6,R
<b>810618301010</b>	CABLE,POWER,AC,1830mm USA type
<b>810618301090</b>	CABLE,POWER,AC,1830mm Europe type
<b>810618301050</b>	CABLE,POWER.AC,1830mm UK type
<b>810618301170</b>	CABLE,POWER,AC,1830mm Australia type
<b>810618301031</b>	CABLE,POWER,AC,1830mm Japan type

### Customer request

<b>Touch</b>	PCT (Multi-Touch)
<b>Glass</b>	Tempered glass, AR coating.....