



SSD2653-Y

26.5" TFT LCD, LED Backlight 500nits, FHD(1920x1920)

The SSD2653-Y is a 26.5 inch color TFT-LCD display with special aspect ratio 1:1 and wide resolution 1920 x 1920. It is Litemax's Spanpixel series product which designed for high brightness with power efficiency LED backlight. It provides LCD panel with specific aspect ratios and sunlight readable for digital signage, public transportation, exhibition hall, department store, and vending machine.

Key Features

- High Brightness 500nits
- Sunlight Readable
- Aspect ratio 1:1
- LED Backlight
- Low Power Consumption
- Slim Bezel
- BL MTBF: 100,000 hours



Specifications

Model Name	SSD2653-Y V1
Description	26.5" TFT LCD, 500nits LED Backlight, 1920x1920
Screen Size	26.5"
Display Area (mm)	475.776(H) x 475.776(V)
Brightness	500 cd/m ²
Resolution	1920x1920
Aspect Ratio	1 : 1
Contrast Ratio	1200 : 1
Pixel Pitch (mm)	0.2478(H) x 0.2478(V)
Pixel Pre Inch (PPI)	102
Viewing Angle	178 °(H),178 °(V)
Color Saturation (NTSC)	81%
Display Colors	16.7M
Response Time (Typical)	14ms
Panel Interface	LVDS
AD Board Input Interface	DVI, HDMI, DP
Input Power	DC 12V
Power Consumption	51W
OSD Key	5 Keys (Power Switch, Menu, +, Exit, -)
OSD Control	Brightness, Color, Contrast, Auto Turing, H/V Position...etc
Dimensions (mm)	497.4x497.4x53.3
Bezel Size(U/B/L/R)	9.2/9.2/9.2/9.2 mm
Weight (Net)	5.9 kg
Mounting	200x200
Operating Temperature	0 °C ~ 50 °C
Storage Temperature	-20 °C ~ 60 °C

SSD = Panel + LED Driving Board + AD Control Board + Chassis

Specifications are subject to change without notice.

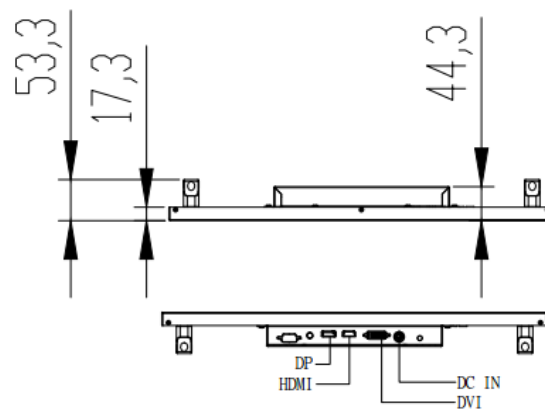
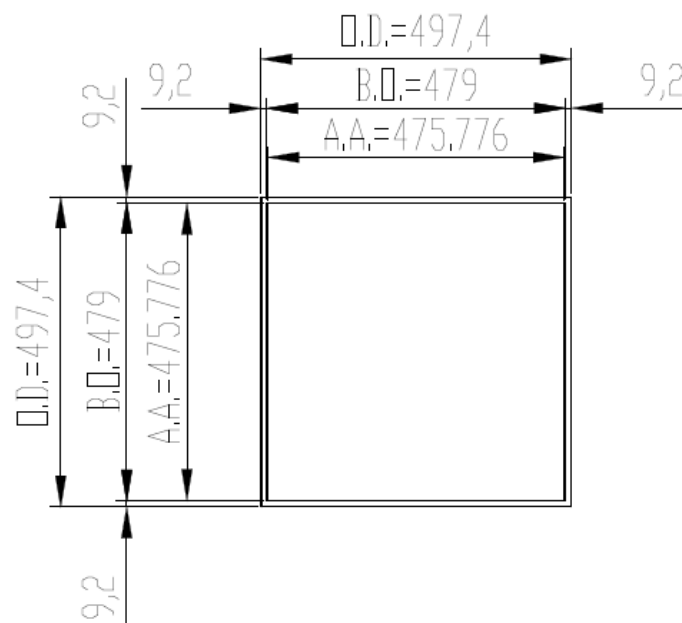
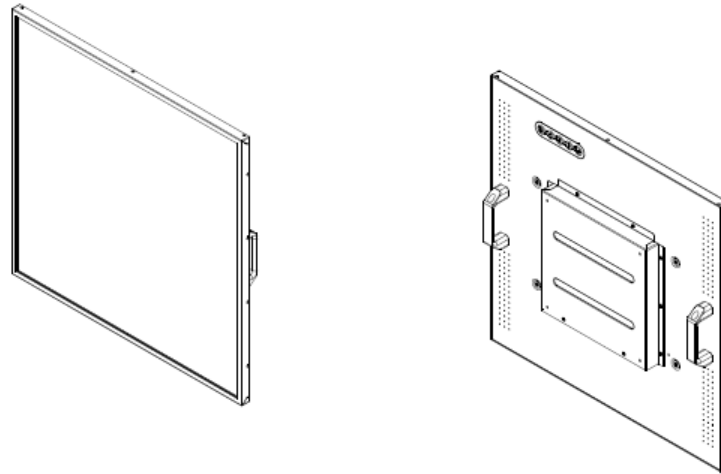
All brands or product names are trademarks or registered trademarks of their respective companies.

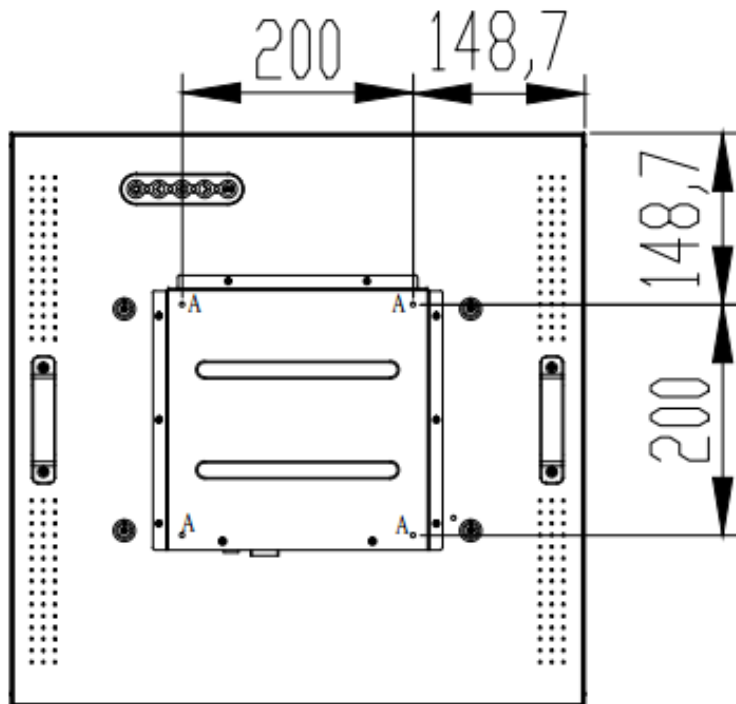
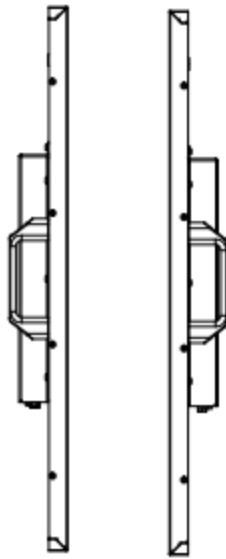


Mechanical Drawing

Outline Dimensions

Unit:mm







Ordering Information

Part Number	Description
SSD2653-YNB-M01	26.5",500nits,1920x1920,LID26C,AD9131DHP,O/B,DC12V,3in1,V1

Optional Accessories

Part Number	Description
840612111201	ADAPTER.12V.10A.120W.G99-CAD120F-N002.POWER DIN,P
810618301010	CABLE.POWER.AC.1830mm USA type
810618301090	CABLE,POWER,AC,1830mm Europe type
810618301050	CABLE.POWER.AC.1830mm UK type
810618301170	CABLE.POWER,AC,1830mm Australia type
810618301031	CABLE.POWER.AC.1830mm Japan type

Customer request

Touch	PCT (Multi-Touch)
Glass	Tempered glass,AR coating.....