



ULF/ULH1563-I 15.6" TFT LCD, 500nits LED Backlight, 1920 X 1080

The ULF/ULH1563-I is a 15.6 inch industrial grade LCD, with high brightness 500 nits, it produce sharp images, crisp text and lifelike colors. The Ubipixel LED backlight technology ensures high reliability and low power consumption, suitable for outdoor application, kiosk, factory automation, military, transportation and gaming application.

Key Features

- High Brightness 500nits
- Resolutions: 1920 x 1080
- LED Backlight
- Aspect ratio of 16:9
- Wide temperature (-20°C ~70°C)
- Low power consumption
- BL MTBF: 50,000 hours



Specifications

Model Name	ULF/ULH1563-I
Description	15.6" TFT LCD, 500 nits LED Backlight, 1920 x 1080
Screen Size	15.6"
Display Area (mm)	344.16(H) x 193.59(V)
Brightness	500 cd/m ²
Resolution	1920 x 1080
Aspect Ratio	16 : 9
Ultra high Contrast Ratio	1400:1
Pixel Pitch (mm)	0.17925(H) x 0.17925 (V)
Pixel Pre Inch (PPI)	141
Viewing Angle	178°(H),178°(V)
Color Saturation (NTSC)	81%
Display Colors	16.7M
Response Time (Typical)	25 ms
Panel Interface	LVDS
AD Board Input Interface	HDMI,DP
AD Board Input Power	DC12V
Power Consumption	11W (13W with AD Control Board)
OSD Key	4 Keys (Power Switch, Menu, +, -)
OSD Control	Brightness, Color, Contrast, Auto Turing, H/V Position...etc
Dimensions (mm)	363.8 x 215.9 x 9.3
Bezel Size(U/B/L/R)	11.16/11.16/9.82/9.82
Weight (Net)	1.25 Kg
Operating Temperature	-20 °C ~ 70 °C
Storage Temperature	-30 °C ~ 70 °C

ULF= Panel + LED Driving Board

ULH= Panel + LED Driving Board + AD Control Board

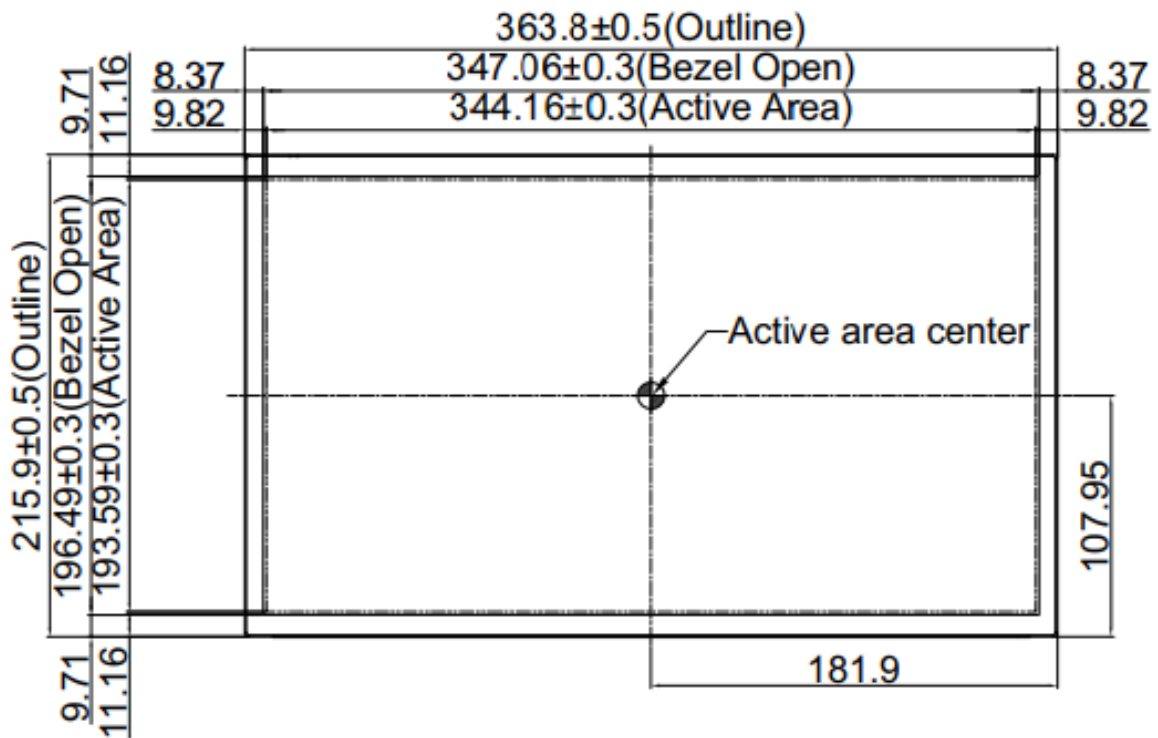
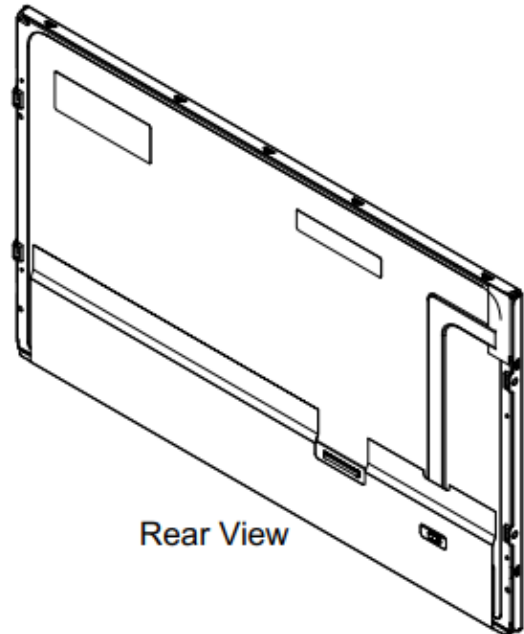
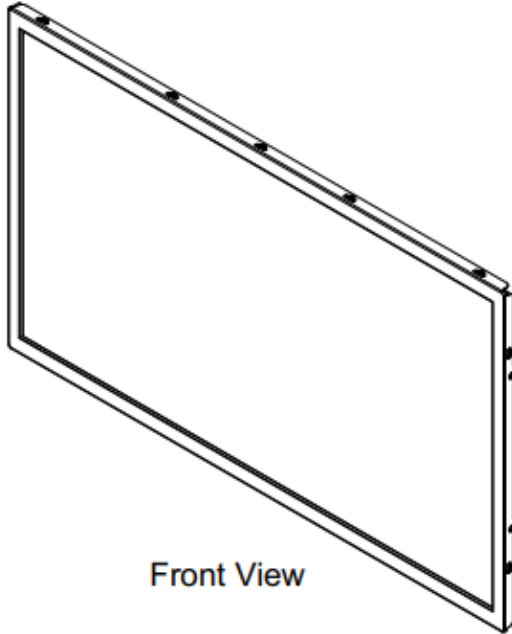
Specifications are subject to change without notice.
All brands or product names are trademarks or registered trademarks of their respective companies.

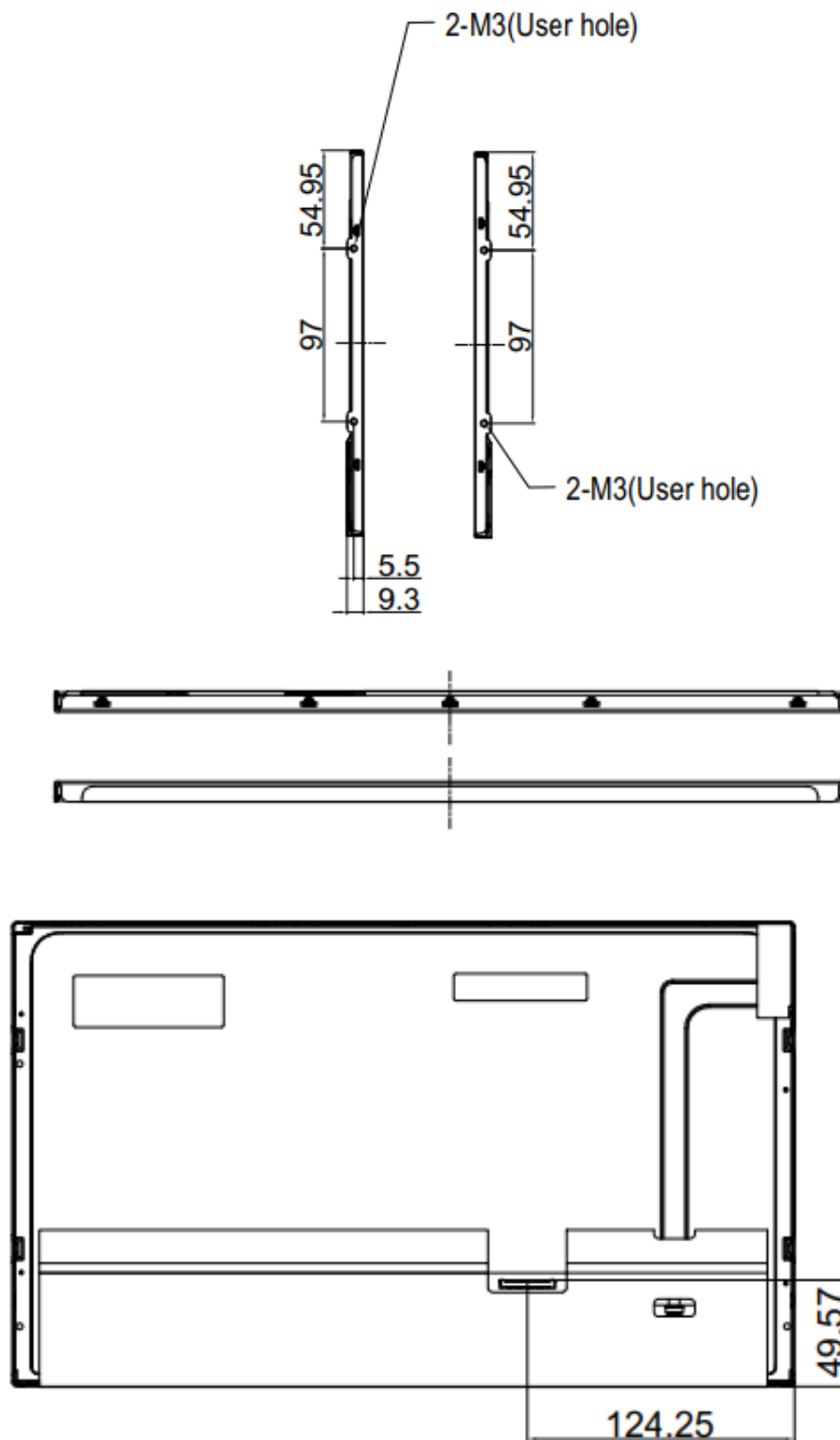


Mechanical Drawing

Outline Dimensions

Unit:mm





Note :

- 1.THE DIMENSION EXCLUDES DEFORMATION.
- 2.MODULE THICKNESS TO BE 9.30mm MAX.
- 3.LED B/L CONNECTOR : JST EHR-2 OR COMPATIBLE
- 4.M3 USER HOLE SCREW TORQUE 5.0 kgf- cm MAX , HOLE Depth 3.0mm Max. $\triangle \sqrt{2}$



Ordering Information

Part Number	Description
ULF1563-IHN-A11	15.6",500nits,1920x1080,T2070,LID on LCM,8in1,V1
ULH1563-IHN-T11	15.6",500nits,1920x1080,T2070,LID on LCM,AD68862HP,DC12V,8in1,V1

Optional Accessories

Part Number	Description
840612051212	ADAPTER,AC/DC,12V/5A,60W.Power-Din-4P,CWT.G99-ABF060F-N022.Efficiency-level-6,R
810618301010	CABLE,POWER,AC,1830mm USA type
810618301090	CABLE,POWER,AC,1830mm Europe type
810618301050	CABLE,POWER.AC,1830mm UK type
810618301170	CABLE,POWER,AC,1830mm Australia type
810618301031	CABLE,POWER,AC,1830mm Japan type

Customer request

Touch	PCT (Multi-Touch)
Glass	Tempered glass, AR coating.....