



SSF/SSH4851-Y

48.5" TFT LCD, 3000 nits LED Backlight , 1920x360 ultra-wide aspect ratio 16:3

The SSF/SSH4851-Y is a 48.5 inch color TFT-LCD display with special aspect ratio 16:3 and wide resolution 1920 x 360. It is Litemax's Spanpixel series product which designed for high brightness 3000 nits with power efficiency LED backlight. It provides LCD panel with specific aspect ratios and sunlight readable for digital signage, public transportation, exhibition hall, department store, and vending machine.

Key Features

- 48.5" Stretched LCD
- Ultra-Wide Screen (16 : 3)
- High Brightness 3000 nits
- LED Backlight
- LCD blacking defect free (Hi-Tni 110 °C)
- Low Power Consumption
- BL MTBF: 100,000 hours



Specifications

Model Name	SSF/SSH4851-Y
Description	48.5" TFT LCD, 3000 nits LED backlight, 1920x360
Screen Size	48.5"
Display Area (mm)	1209.6(H) x 226.8(V)
Brightness	3000 cd/m ²
Resolution	1920x360
Aspect Ratio	16 : 3
Contrast Ratio	7700 : 1
Pixel Pitch (mm)	0.63(H) x 0.63(V)
Pixel Per Inch (PPI)	40
Viewing Angle	178°(H),178°(V)
Color Saturation (NTSC)	61%
Display Colors	16.7M
Response Time (Typical)	8ms
Panel Interface	LVDS
Input Interface	DVI-I,HDMI,DP
Input Power	DC 24V
Power Consumption	71W, 75W (with AD board)
OSD Key	4 Keys (Power Switch, Menu, +, -)
OSD Control	Brightness, Color, Contrast, Auto Turing, H/V Position...etc
Dimensions (mm)	1232. 4(H) x 249.6(V) x 22.8 (T)
Bezel Size(U/B/L/R)	11.4/11.4/11.4/11.4 mm
Weight (Net)	5.4kg
Operating Temperature	-20 °C ~ 60 °C
Storage Temperature	-20 °C ~ 60 °C

SSF= Panel + LED Driving Board

SSH= Panel + LED Driving Board + AD Control Board

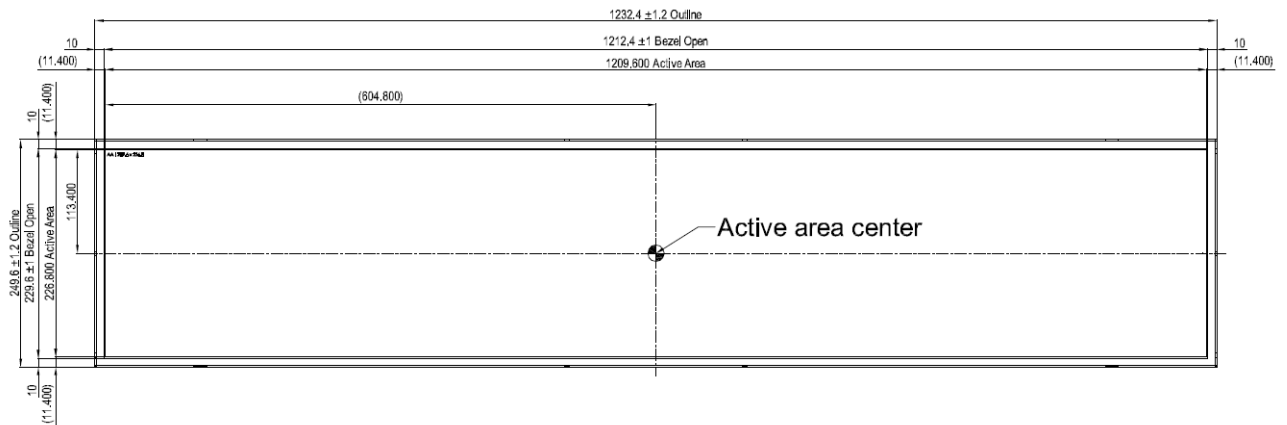
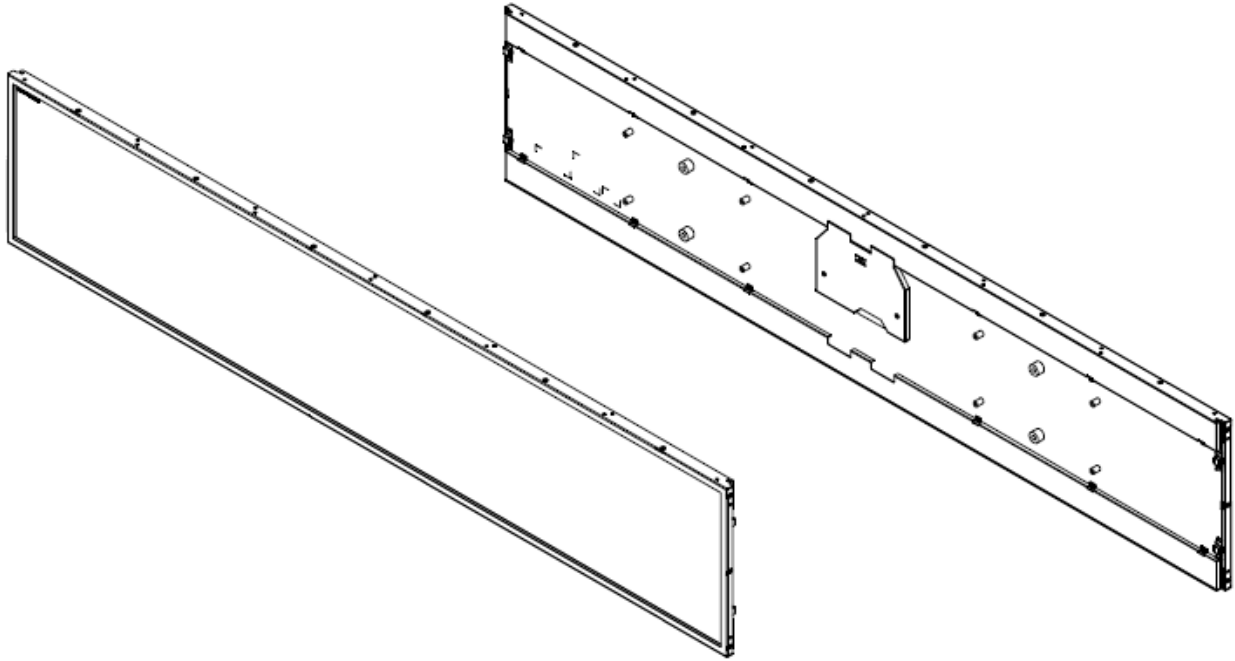
Specifications are subject to change without notice.
All brands or product names are trademarks or registered trademarks of their respective companies.

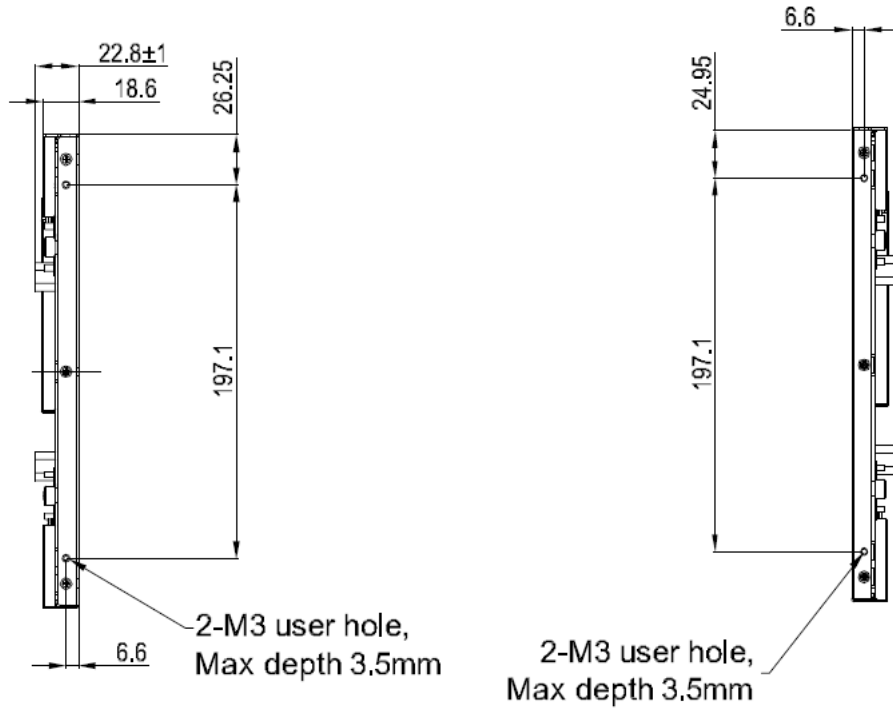
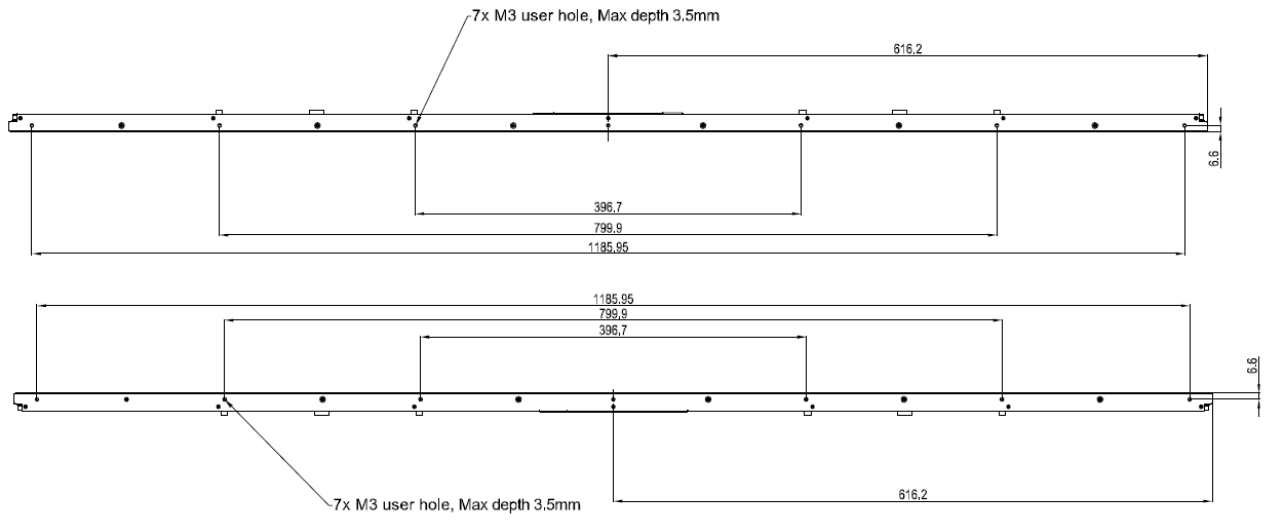


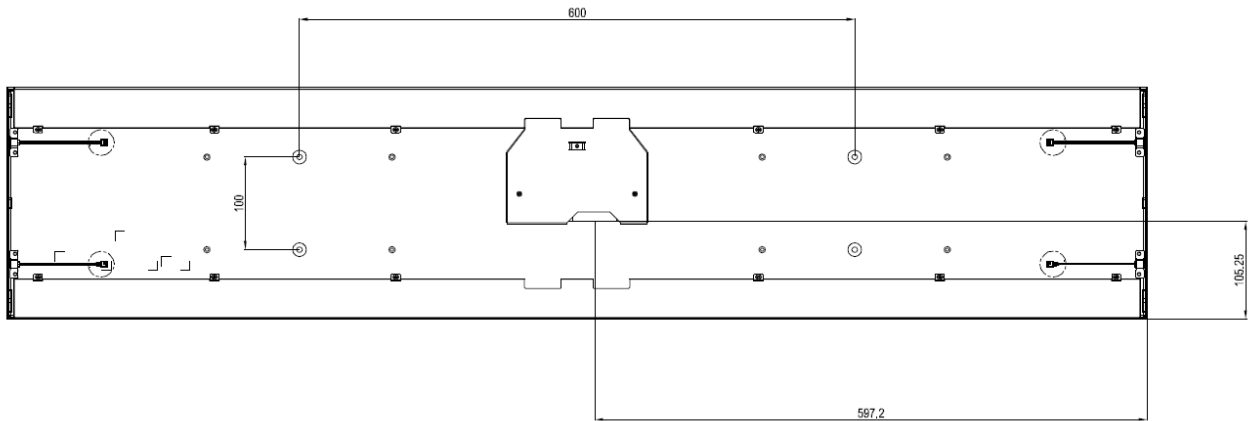
Mechanical Drawing

Outline Dimensions

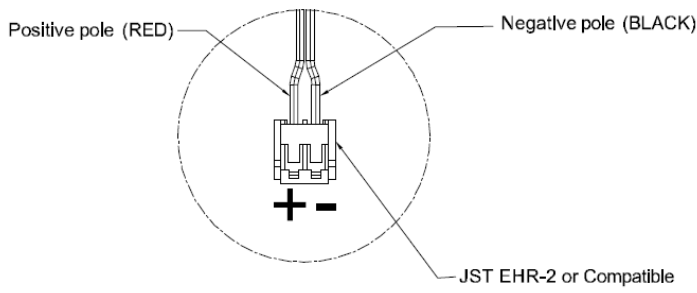
Unit:mm







LED Connector



Note:

1. Resolution: 1920x360
2. LED B/L Connector : JST EHR-2 Or Compatible
3. Tolerance is $\pm 1.0\text{mm}$ unless noted
4. "()" marks the reference dimension



Ordering Information

Part Number	Description
SSF4851-YNN-A11	48.5",3000nits,1920x360,T2060,HTni,LID48C,3in1,V1
SSH4851-YNN-Q11	48.5",3000nits,1920x360,T2060,HTni,LID48C,AD8891DHP,DC24V,3in1,V1

Optional Accessories

Part Number	Description
840613141200	ADAPTER,AC/DC,24V/7.5A,180W,FSP180-AAAN3,Power-Din,P
810618301010	CABLE,POWER,AC,1830mm USA type
810618301090	CABLE,POWER,AC,1830mm Europe type
810618301050	CABLE,POWER,AC,1830mm UK type
810618301170	CABLE,POWER,AC,1830mm Australia type
810618301031	CABLE,POWER,AC,1830mm Japan type

Customer request

Touch	SCT (Single-Touch), PCT (Multi-Touch)
Glass	Tempered glass, AR coating.....