



DLF/DLH4309-B V1 **43" TFT LCD, 1800nits LED Backlight, 1920x1080**

The **DLF/DLH4309-B** is a 43 inch industrial grade sunlight readable LCD, with high brightness **1800** nits, it produce sharp images, crisp text and lifelike colors. The Durapixel LED backlight technology ensures high reliability and low power consumption, suitable for outdoor application, kiosk, factory automation, military, transportation and gaming application.

Key Features

- High Brightness 1800 nits
- Sunlight Readable
- LED Backlight
- Low Power Consumption
- LCD Blanking Defect Free(Hi-Tni 110 °C)
- BL MTBF: 100,000 hours



Specifications

Model Name	DLF/DLH4309-B
Description	43" TFT LCD, 1800nits LED Backlight, 1920x1080
Screen Size	43"
Display Area (mm)	940.896(H) x 529.254(V)
Brightness	1800 cd/m ²
Resolution	1920x1080
Aspect Ratio	16:9
Contrast Ratio	1300 : 1
Pixel Pitch (mm)	0.4905(H) x 0.4905(V)
Pixel Pre Inch (PPI)	51
Viewing Angle	178°(H),178°(V)
Color Saturation (NTSC)	83%
Display Colors	16.7M
Response Time (Typical)	8ms
Panel Interface	LVDS
Input Interface	DVI-I, HDMI, DP
Input Power	AC100~240V
Power Consumption	97W(106W with AD Board)
OSD Key	4 Keys (Power Switch, Menu, +, -)
OSD Control	Brightness, Color, Contrast, Auto Turing, H/V Position...etc
Dimensions (mm)	970(H) x 564.3(V) x 26.92(T)
Bezel Size(U/B/L/R)	17.523/17.523/14.552/14.552 mm
Weight (Net)	10kg
Operating Temperature	-20 °C ~ 60 °C
Storage Temperature	-20 °C ~ 70 °C

DLF= Panel + LED Driving Board

DLH= Panel + LED Driving Board + AD Control Board

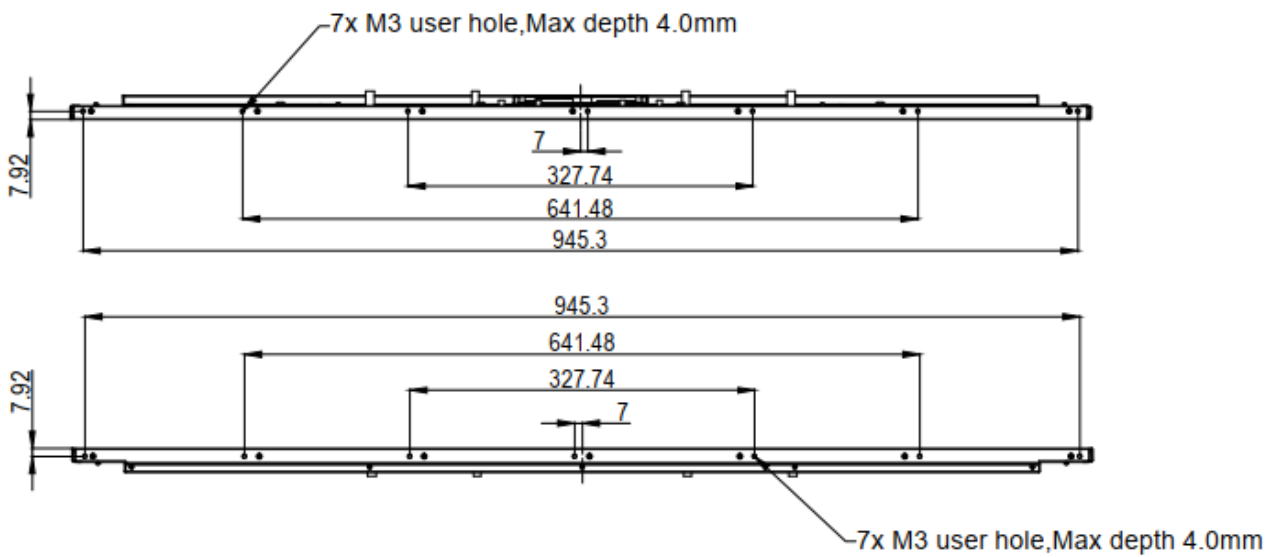
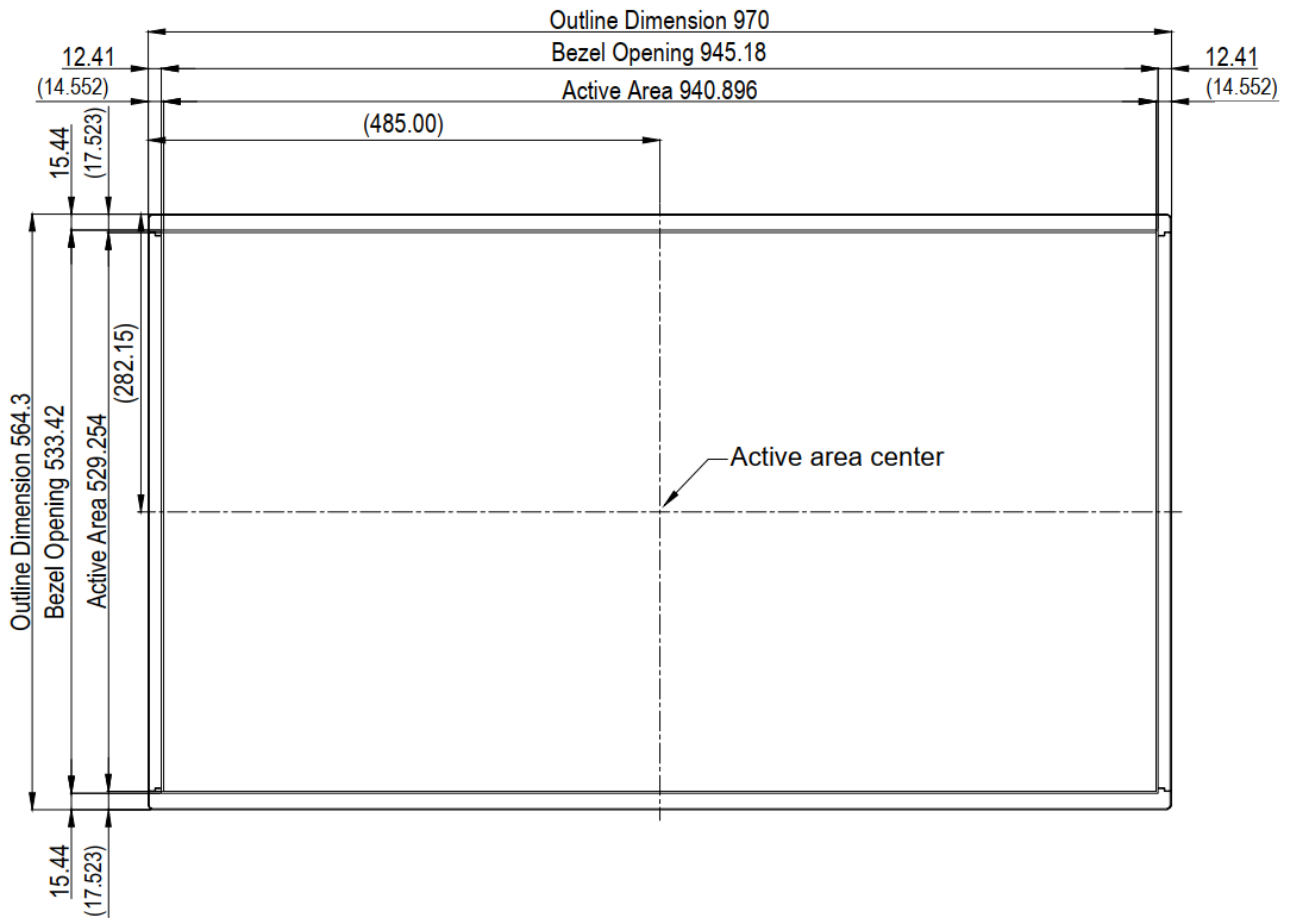
Specifications are subject to change without notice.
All brands or product names are trademarks or registered trademarks of their respective companies.

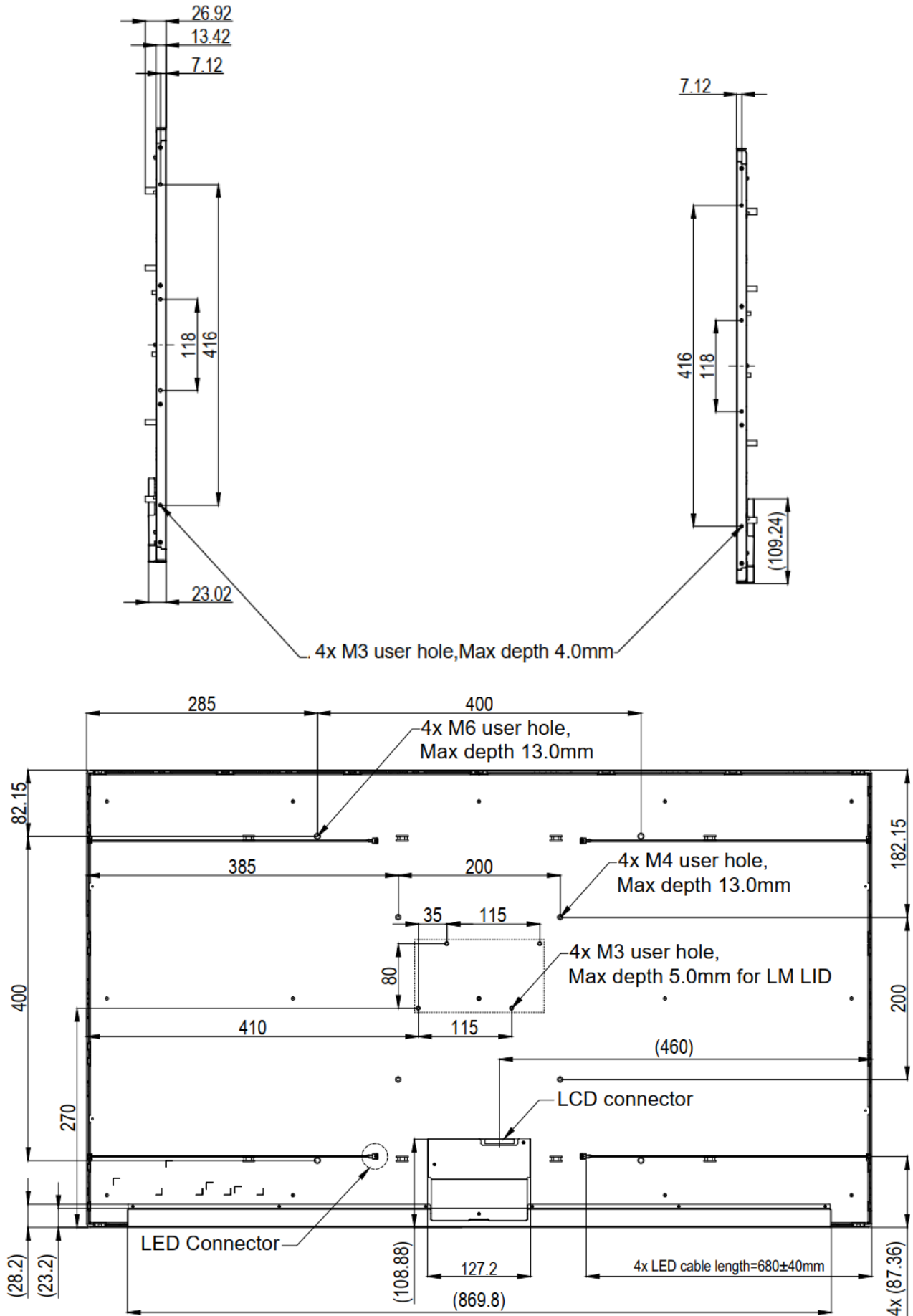


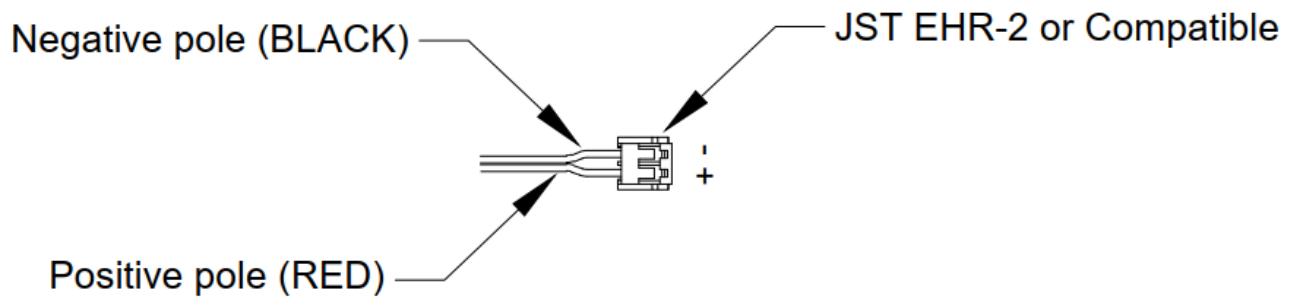
Mechanical Drawing

Outline Dimensions

Unit:mm







LED Connector View

Note:

1. Tolerance is $\pm 1.0\text{mm}$ unless noted
2. "()" marks the reference dimension

Ordering Information

Part Number	Description
DLF4309-BNN-A01	43",1800nits,1920*1080,T2060,HTni,LID43C,3in1,V1
DLH4309-BNN-Q01	43",1800nits,1920*1080,T2060,HTni,LID43C,AD8891DHP,AC100~240V,3in1,V1

Optional Accessories

Part Number	Description
810618301010	CABLE,POWER,AC,1830mm USA type
810618301090	CABLE,POWER,AC,1830mm Europe type
810618301050	CABLE,POWER,AC,1830mm UK type
810618301170	CABLE,POWER,AC,1830mm Australia type
810618301031	CABLE,POWER,AC,1830mm Japan type

Customer request

Touch	SCT (Single-Touch), PCT (Multi-Touch)
Glass	Tempered glass, AR coating.....