



DLD1568-E V4
15" TFT LCD, 1600nits LED Backlight, 1024x768

The DLD1568-E is a 15 inch industrial grade sunlight readable LCD, with high brightness 1600 nits, it produce sharp images, crisp text and lifelike colors. The Durapixel LED backlight technology ensures high reliability and low power consumption, suitable for outdoor application, kiosk, factory automation, military, transportation and gaming application.

Key Features

- High Brightness 1600 nits
- Sunlight Readable
- LED Backlight
- Low Power Consumption
- Wide Temperature
- BL MTBF: 100,000 hours



Specifications

Model Name	DLD1568-E
Description	15" TFT LCD, 1600nits LED Backlight, 1024x768
Screen Size	15"
Display Area (mm)	304.128(H) x 228.096(V)
Brightness	1600 cd/m ²
Resolution	1024x768
Aspect Ratio	4:3
Contrast Ratio	1550 : 1
Pixel Pitch (mm)	0.297(H) x 0.297(V)
Pixel Pre Inch (PPI)	85
Viewing Angle	160°(H),160°(V)
Color Saturation (NTSC)	72%
Display Colors	16.7M
Response Time (Typical)	8ms
Panel Interface	LVDS
Input Interface	VGA, DVI-D, HDMI
Input Power	DC12V
Power Consumption	14.5W
OSD Key	4 Keys (Power Switch, Menu, +, -)
OSD Control	Brightness, Color, Contrast, Auto Turing, H/V Position...etc
Dimensions (mm)	326.5(H) x 253.5(V) x 31(T)
Bezel Size(U/B/L/R)	12.702/12.702/11.186/11.186 mm
Weight (Net)	1.2kg
Mounting	75x75mm
Operating Temperature	-20 °C ~ 70 °C
Storage Temperature	-30 °C ~ 80 °C

DLD= Panel + LED Driving Board + AD Control Board + Chassis

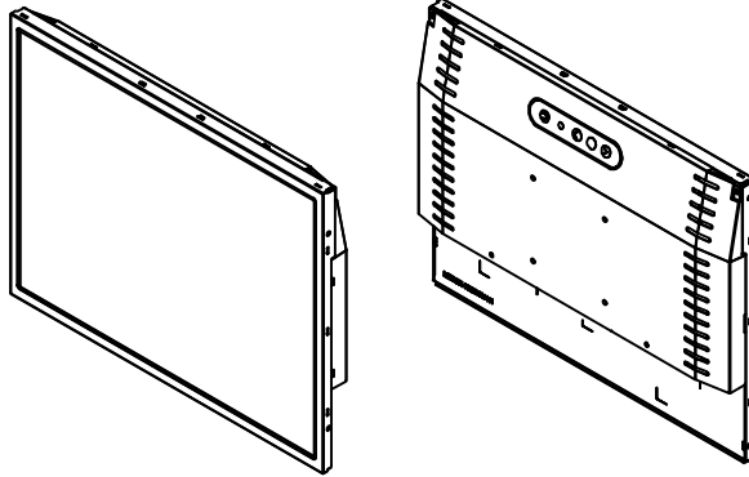
Specifications are subject to change without notice.
 All brands or product names are trademarks or registered trademarks of their respective companies.



Mechanical Drawing

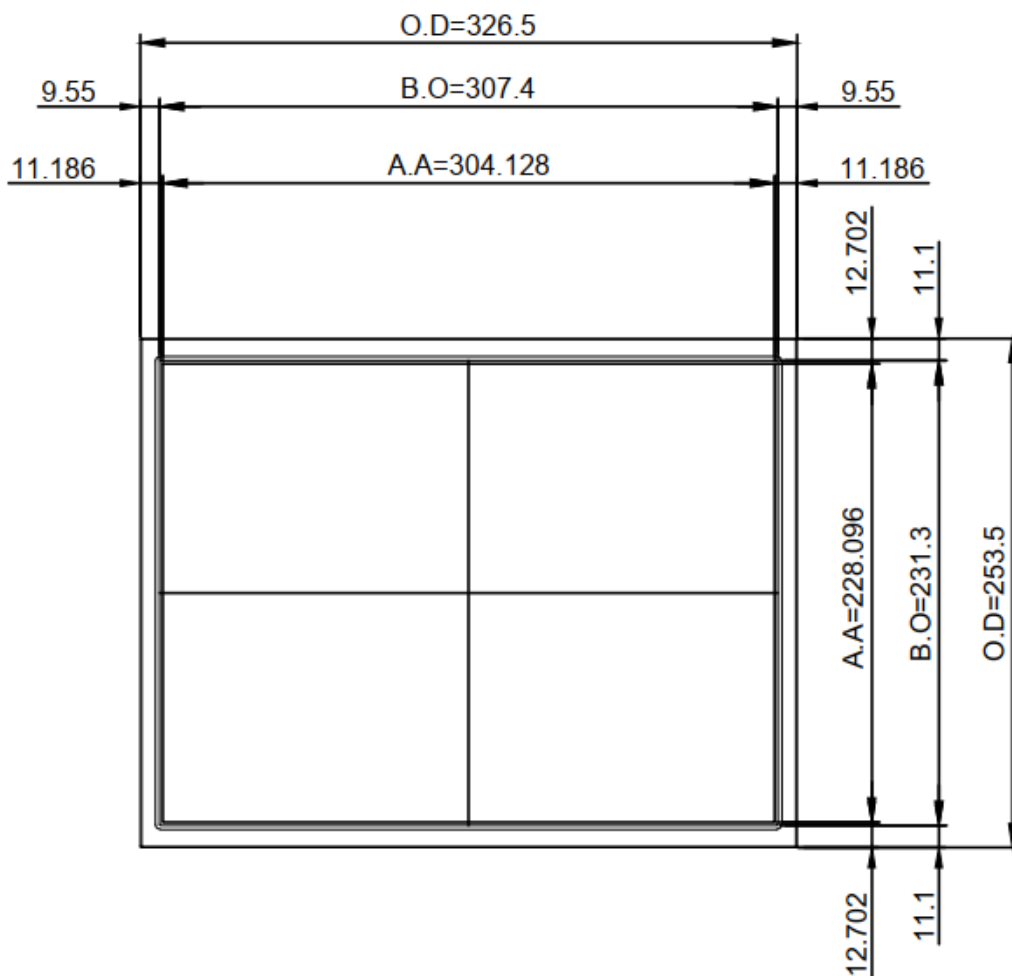
Outline Dimensions

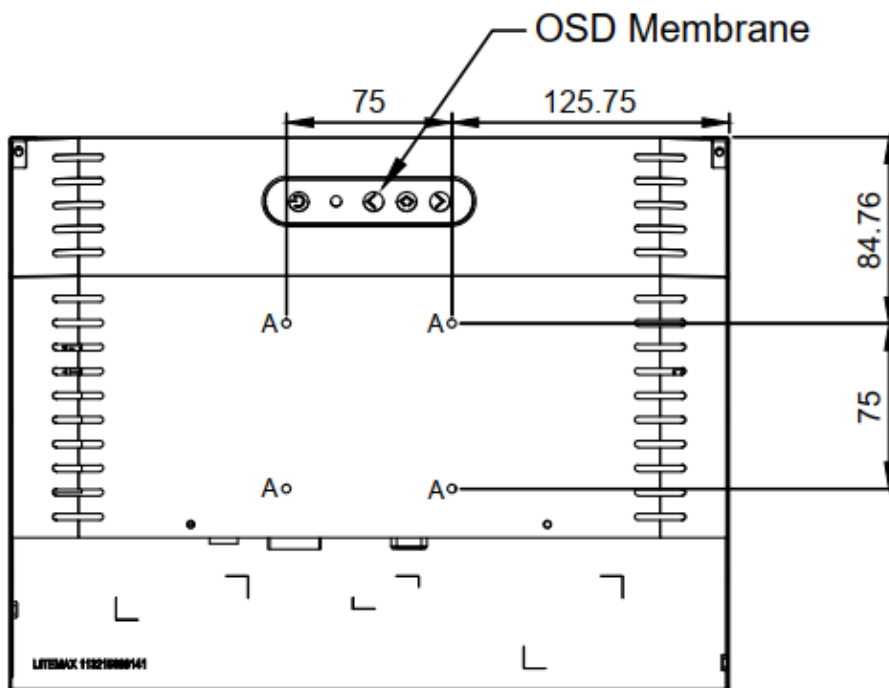
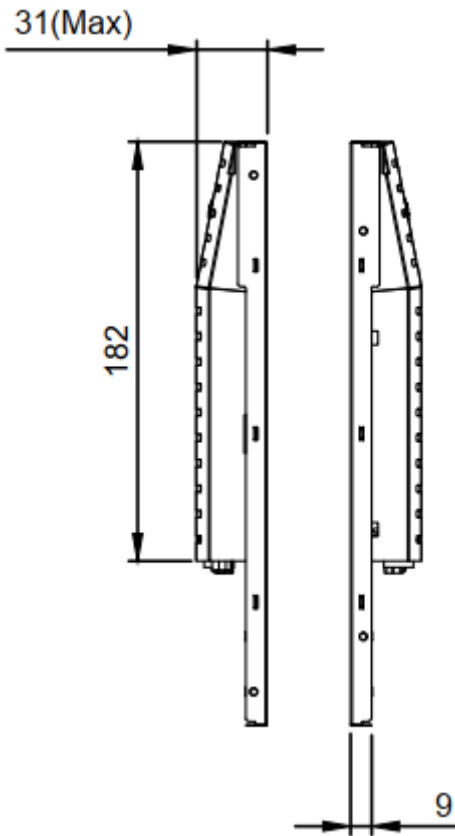
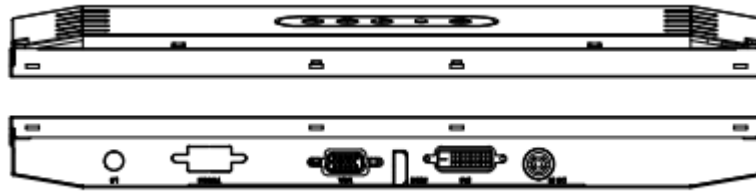
Unit:mm

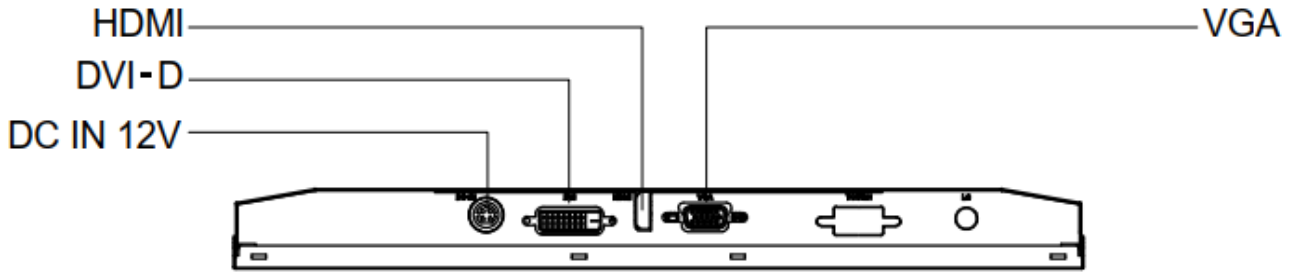


Front view

Back view







NOTE :
 O.D : OUTLINE DIMENSION
 B.O : BEZEL OPENING
 A.A : LCD ACTIVE AREA
 A : 4-M4_USER_HOLE_MAX. DEPTH=3mm

Ordering Information

Part Number	Description
DLD1568-ENB-Q31	15",1600nits,1024x768,T2070,LID15C,AD8891GDH,O/B,DC12V,5in1,V4

Optional Accessories

Part Number	Description
810618301010	CABLE,POWER,AC,1830mm USA type
810618301090	CABLE,POWER,AC,1830mm Europe type
810618301050	CABLE,POWER,AC,1830mm UK type
810618301170	CABLE,POWER,AC,1830mm Australia type
810618301031	CABLE,POWER,AC,1830mm Japan type

Customer request

Touch	SCT (Single-Touch), PCT (Multi-Touch)
Glass	Tempered glass, AR coating.....