



DLD8500-N 85" TFT LCD, 2000 nits LED Backlight, 3840x2160

The DLD8500-N is a 85 inch industrial grade sunlight readable LCD, with high brightness 2000 nits, it produces sharp images, crisp text and lifelike colors. The Durapixel LED backlight technology ensures high reliability and low power consumption, suitable for outdoor application, kiosk, factory automation, military, transportation and gaming application.

Key Features

- Sunlight readable
- High brightness 2000 nits
- Local Dimming 84zone
- LCD Blackening Defect Free (Hi-Tni 110°C)
- Aspect ratio of 16:9
- Wide temperature (-30°C~50°C)
- Low power consumption
- BL MTBF: 50,000 hours



Specifications

Model Name	DLD8500-N
Description	85" TFT LCD, 2000nits LED Backlight, 3840x2160
Screen Size	85"
Display Area (mm)	1872 (H) x 1053(V)
Brightness	2000 cd/m ²
Resolution	3840 x 2160
Aspect Ratio	16:9
Contrast Ratio	91000 : 1
Pixel Pitch (mm)	0.4875(H) x 0.4875(V)
Pixel Pre Inch (PPI)	52
Viewing Angle	178°(H),178°(V)
Color Saturation (NTSC)	91%
Display Colors	1.07G
Response Time (Typical)	12ms
Panel Interface	V by One
Input Interface	DVI-D, HDMI, DP
Input Power	AC100~240V
Power Consumption	1089W
OSD Key	5 Keys (Power Switch, Menu, +, -, Exit)
OSD Control	Brightness, Color, Contrast, Auto Turing, H/V Position...etc
Dimensions (mm)	1915.8 x 1096.8 x 79.9
Bezel Size(U/B/L/R)	21.9/21.9/21.9/21.9 mm
Mounting	600 x 600 mm
Weight (Net)	76kg
Operating Temperature	-30°C ~ 50°C
Storage Temperature	-30°C ~ 70°C

DLD= Panel + LED Driving Board + AD Control Board + Thermal Control Board + Housing

Specifications are subject to change without notice.

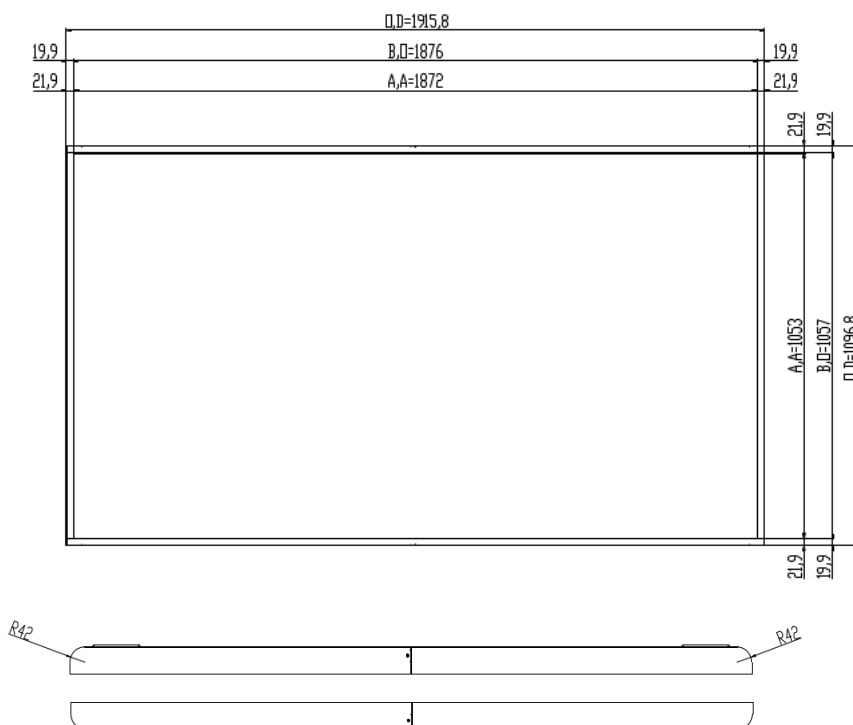
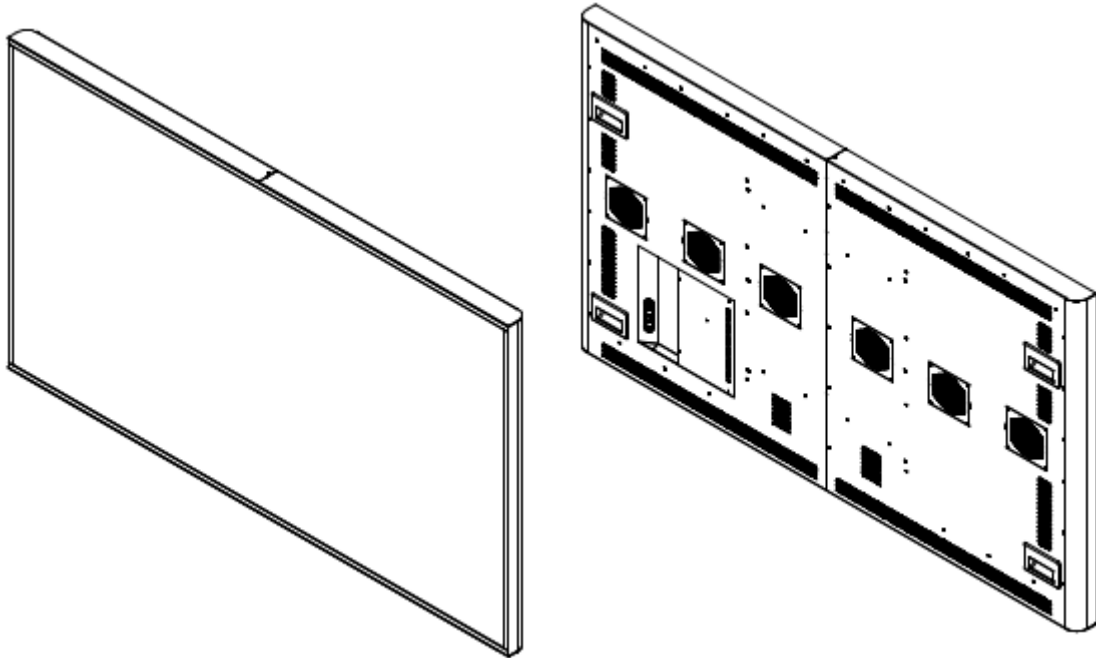
All brands or product names are trademarks or registered trademarks of their respective companies.

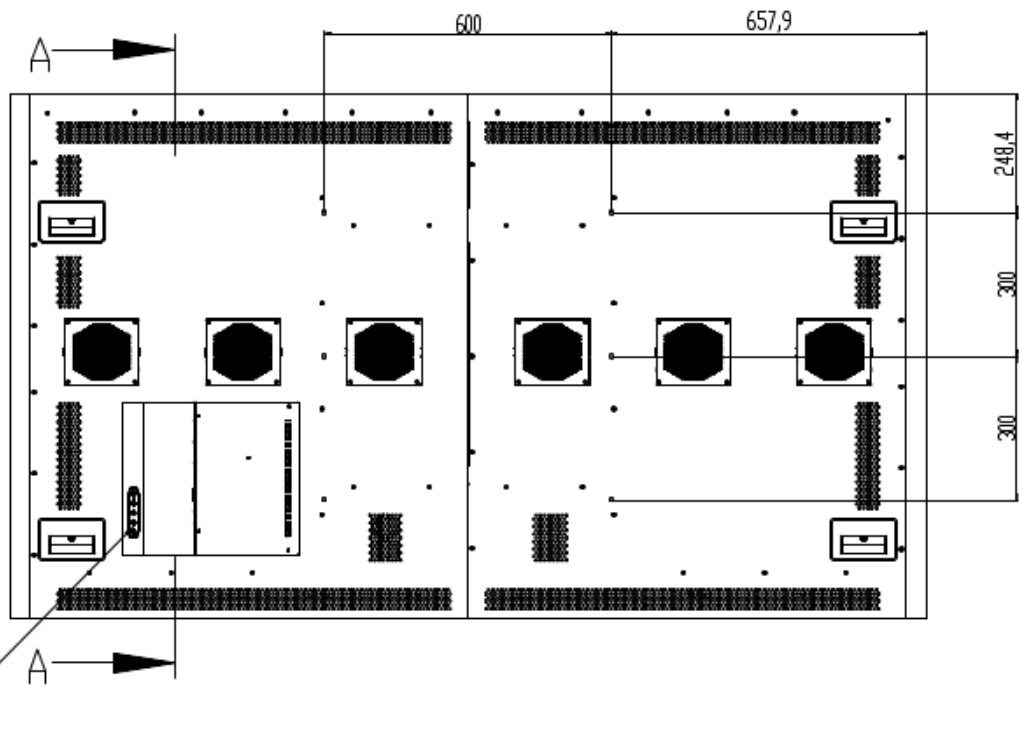
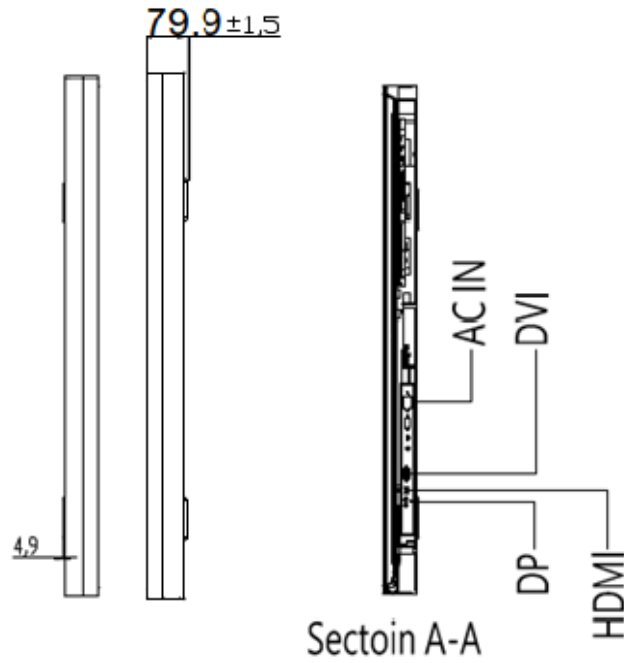


Mechanical Drawing

Outline Dimensions

Unit:mm





Membrane 5 Keys

Note:

O.D : Outline Dimension

B.O : Bezel Opening

A.A : LCD Active Area

A:8-M8 USER HOLE _ MAX. DEPTH=20mm



Ordering Information

Part Number	Description
DLD8500-NNU-M11	85",2000nits,3840x2160,T3050,HTni,LID on LCM,AD9131DHP,TCB,O/B,Fan,Local Dimming/84zone,AC100~240V,V1

Optional Accessories

Part Number	Description
810618301010	CABLE,POWER,AC,1830mm USA type
810618301090	CABLE,POWER,AC,1830mm Europe type
810618301050	CABLE,POWER,AC,1830mm UK type
810618301170	CABLE,POWER,AC,1830mm Australia type
810618301030	CABLE,POWER,AC,1830mm Japan type