



SSD0683-M

6.8" LCD, 700 nits LED backlight, 480 x 1280 ultra-wide aspect ratio 6:16

The SSD0683-M is a 6.8 inch color TFT-LCD display with special aspect ratio 6:16 and wide resolution 480 x 1280. It is Litemax's Spanpixel series product which designed for brightness 700 nits with power efficiency LED backlight.

Key Features

- Ultra-Wide Screen (6 : 16)
- High Resolution 480x1280
- Brightness 700 nits
- LED Backlight
- PCT(Multi-Touch)
- Wide viewing angle
- Support Touchscreen
- Low Power Consumption



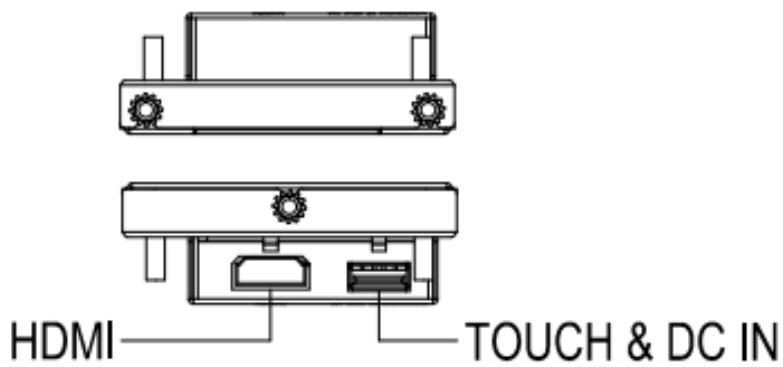
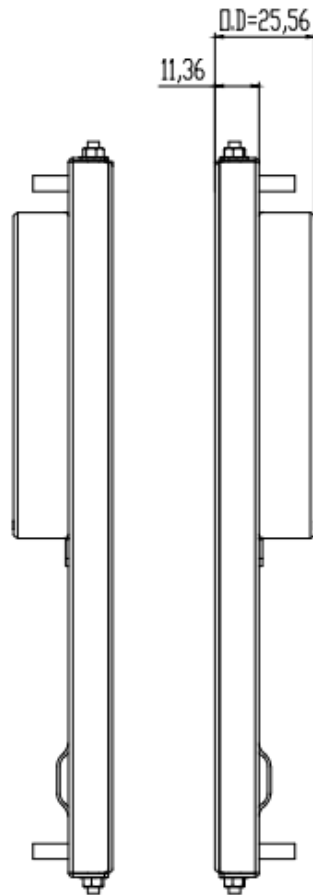
Specifications

Model Name	SSD0683-M
Description	6.8" LCD, 700 nits LED backlight, 480 x 1280
Screen Size	6.8"
Display Area (mm)	60.19(H) x 160.51(V)
Brightness (Typical)	700 cd/m2
Resolution	480x1280
Aspect Ratio	6 : 16
Contrast Ratio (Typical)	900 : 1
Pixel Pitch (mm)	0.1255(H) x 0.1255(V)
Pixel Per Inch (PPI)	199
Viewing Angle	160°(H),160°(V)
Color Saturation (NTSC)	84%
Display Colors	16.7M
Response Time (Typical)	25ms
Panel Interface	MIPI
Touch Interface	USB
Input Interface	HDMI
Input Power	USB (DC 5V)
Power Consumption	3.2W
Dimensions (mm)	71 x 193.6 x 25.56
Bezel Size(U/B/L/R)	12.35/12.35/5.41/5.41
Weight (Net)	0.35kg
Operating Temperature	-20°C~70°C
Storage Temperature	-30°C~80°C

SSD= Panel + LED Driving Board + AD Control Board + Chassis + PCT

Specifications are subject to change without notice.

All brands or product names are trademarks or registered trademarks of their respective companies.



Note:

O.D : Outline Dimension

B.O : Bezel Opening

T.V.A : Touch View Area

A.A : LCD Active Area

A: 4-M4 FH L=9mm



Ordering Information

Part Number	Description
SSD0683-MTN-B11	6.8",700nits,480*1280,T2070,MIPI,PCT T1.5mm,LID on LCM,AD6911H,OCA017,USB/DC5V,5in1,V1

Optional Accessories

Part Number	Description
810618301010	CABLE.POWER.AC.1830mm USA type
810618301090	CABLE,POWER,AC,1830mm Europe type
810618301050	CABLE.POWER.AC.1830mm UK type
810618301170	CABLE.POWER,AC,1830mm Australia type
810618301031	CABLE.POWER.AC.1830mm Japan type

By Customer Request

Glass	Description
	Tempered glass, AR coating.....