



DLD0708-T V1

7" TFT LCD, LED Backlight 1600nits, WXGA(1280x800)

The DLD0708-T is a 7 inch industrial grade sunlight readable LCD, with high brightness 1600 nits, it produce sharp images, crisp text and lifelike colors. The Durapixel LED backlight technology ensures high reliability and low power consumption, suitable for outdoor application, kiosk, factory automation, military, transportation and gaming application.

Key Features

- High Brightness 1600 nits
- Sunlight Readable
- LED Backlight
- Wide Viewing Angle of 176°(H), 176°(V)
- Wide Temperature (-20°C~70°C)
- Low Power Consumption
- BL MTBF: 100,000 hours



Specifications

Model Name	DLD0708-T V1
Description	7" TFT LCD, LED Backlight 1600 nits, WXGA(1280x800)
Screen Size	7"
Display Area (mm)	149.76(H) x 93.60(V)
Brightness	1600 cd/m ²
Resolution	1280x800
Aspect Ratio	16 : 10
Contrast Ratio	1000 : 1
Pixel Pitch (mm)	0.117(H) x 0.117(V)
Pixel Pre Inch (PPI)	215
Viewing Angle	176°(H),176°(V)
Color Saturation (NTSC)	55%
Display Colors	16.7M
Response Time (Typical)	35ms
Panel Interface	LVDS
AD Board Input Interface	VGA, DVI-D, HDMI
AD Board Input Power	DC12V
Power Consumption	8.9W
OSD Key	4 Keys (Power Switch, Menu, +, -)
OSD Control	Brightness, Color, Contrast, Auto Turing, H/V Position...etc
Dimensions (mm)	171.3(H) x 117.8(V) x 42 (T)
Bezel Size(U/B/L/R)	11.6/11.6/10.27/10.27 mm
Weight (Net)	1kg
Mounting	75 x 75 mm
Operating Temperature	-20 °C ~ 70 °C
Storage Temperature	-30 °C ~ 80 °C

DLD= Panel + LED Driving Board + AD Control Board + Housing

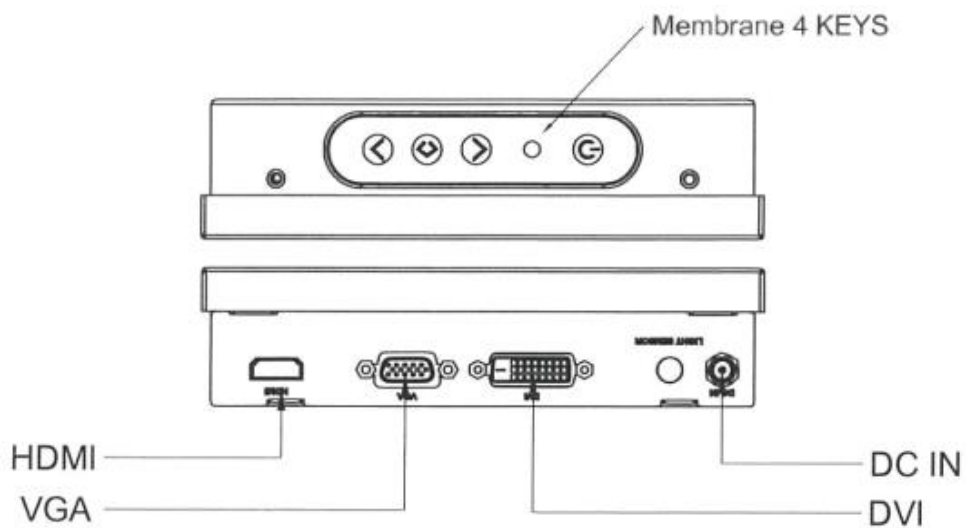
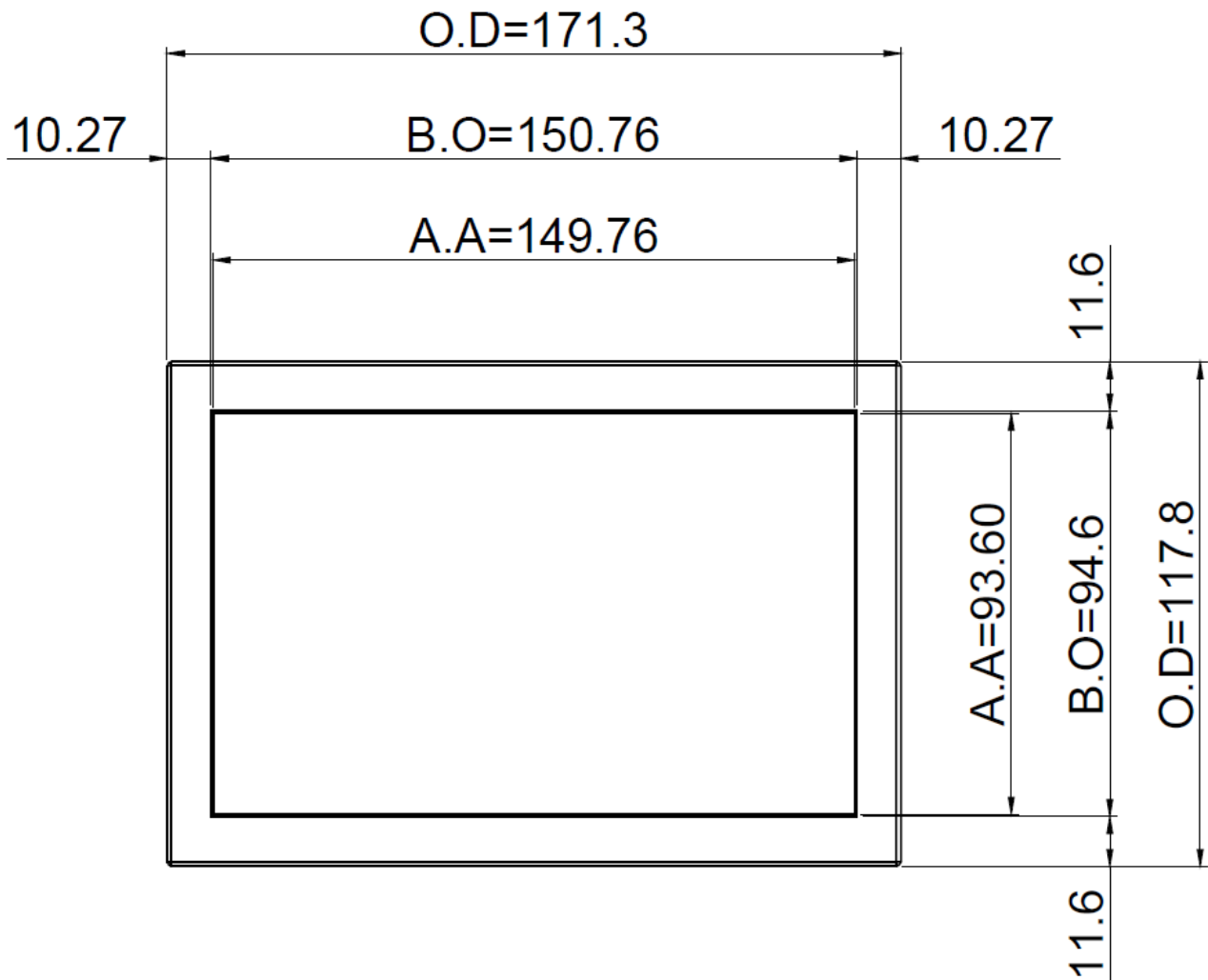


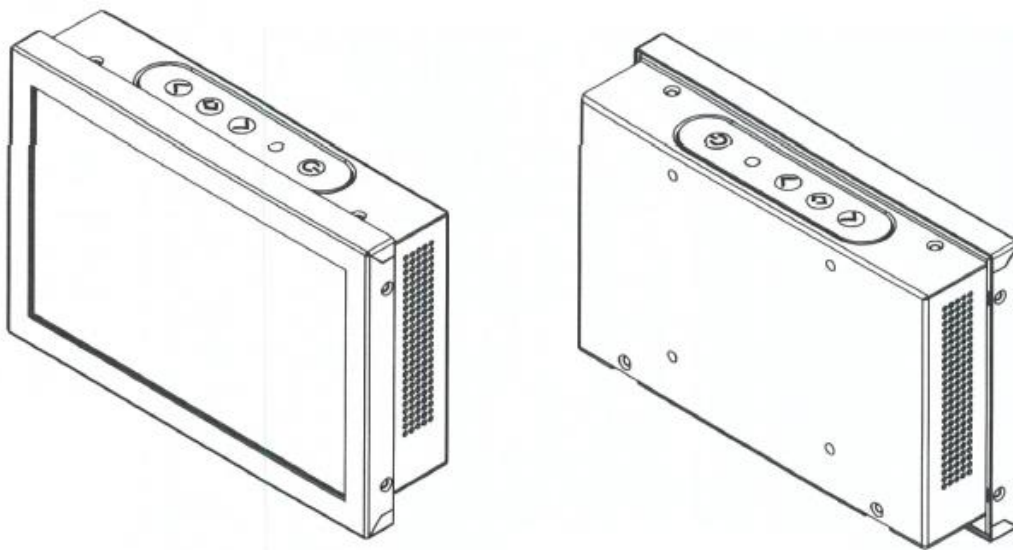
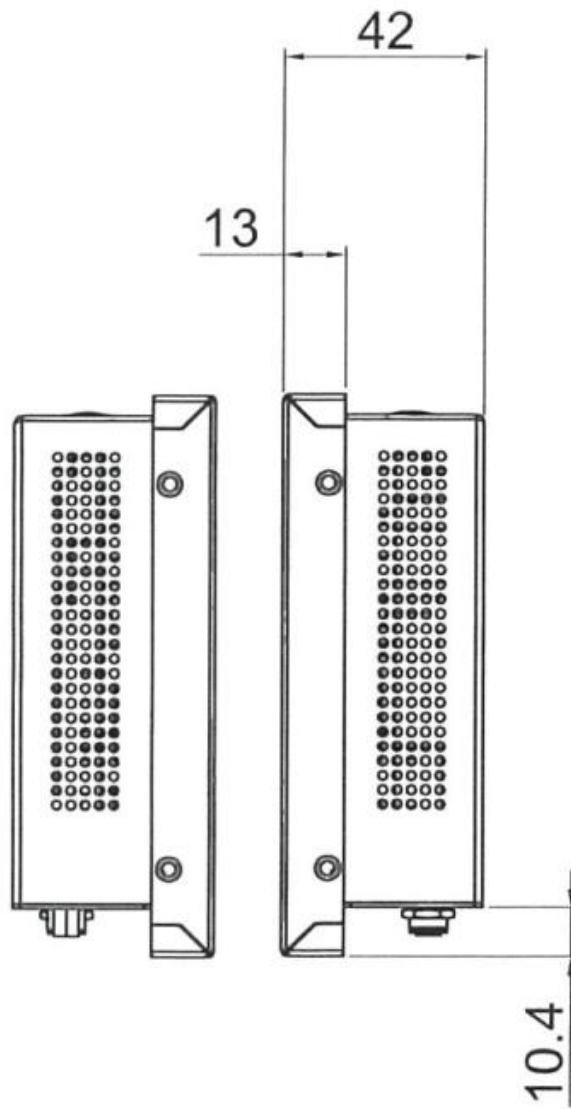
Specifications are subject to change without notice.
All brands or product names are trademarks or registered trademarks of their respective companies.

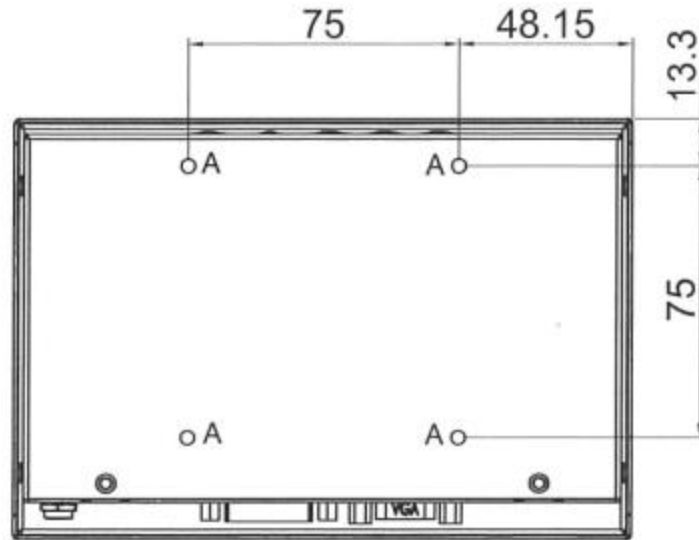
Mechanical Drawing

Outline Dimensions

Unit:mm







NOTE :
 O.D : OUTLINE DIMENSION
 B.O : BEZEL OPENING
 A.A : LCD ACTIVE AREA

A : 4-M4_USER_HOLE_MAX. DEPTH=3mm

Ordering Information

Part Number	Description
DLD0708-TNB-G01	7",1600nits,1280x800,LID7A,AD2662GDHM,O/B,DC12V,5in1,V1

Optional Accessories

Part Number	Description
840612051212	ADAPTER,AC/DC,12V/5A,60W,Power-Din-4P,CWT,G99-ABF060F-N022,Efficiency-level-6,R
810618301010	CABLE,POWER,AC,1830mm USA type
810618301090	CABLE,POWER,AC,1830mm Europe type
810618301050	CABLE,POWER,AC,1830mm UK type
810618301170	CABLE,POWER,AC,1830mm Australia type
810618301031	CABLE,POWER,AC,1830mm Japan type

Customer request

Touch	SCT (Single-Touch), PCT (Multi-Touch)
Glass	Tempered glass, AR coating.....