



SSD1624-B

16.3" LCD, 350nits, LED backlight, 1366x238 ultra-wide aspect ratio 16:2.8

The SSD1624-B is a 16.3 inch color TFT-LCD display with special aspect ratio 16:2.8 and wide resolution 1366 x 238. It is Litemax's Spanpixel series product which designed for high brightness with power efficiency LED backlight. It provides LCD panel with specific aspect ratios and sunlight readable for digital signage, public transportation, exhibition hall, department store, and vending machine.

Key Features

- Resizing LCD
- Ultra Wide Screen 16:2.8
- LED Backlight
- Brightness 350nits
- Low Power Consumption
- BL MTBF: 100,000 hours



Specifications

| | |
|---------------------------------|--|
| Model Name | SSD1624-B |
| Description | 16.3" TFT LCD, 350nits LED backlight , 1366x238 |
| Screen Size | 16.3" |
| Display Area (mm) | 409.800(H) x 71.400(V) |
| Brightness | 350 cd/m ² |
| Resolution | 1366x238 |
| Aspect Ratio | 16 : 2.8 |
| Contrast Ratio | 1000 : 1 |
| Pixel Pitch (mm) | 0.300(H) x 0.300(V) |
| Pixel Per Inch (PPI) | 84 |
| Viewing Angle | 178°(H),178°(V) |
| Color Saturation (NTSC) | 77% |
| Display Colors | 16.7M |
| Response Time (Typical) | 16ms |
| Panel Interface | LVDS |
| AD Board Input Interface | VGA, DVI-D, HDMI |
| Input Power | DC12V |
| Power Consumption | 8.8W |
| OSD Key | 4 Keys (Power Switch, Menu, +, -) |
| OSD Control | Brightness, Color, Contrast, Auto Turing, H/V Position...etc |
| Dimensions (mm) | 436.3(H) x100.2(V) x 43(T) |
| Bezel Size(U/B/L/R) | 14.4/14.4/13.25/13.25 mm |
| Mounting | 50x50, 388.6x80 |
| Weight (Net) | 1.3kg |
| Operating Temperature | 0 °C ~ 50 °C |
| Storage Temperature | -20 °C ~ 60 °C |

SSD= Panel + LED Driving Board + AD Control Board + Chassis

Specifications are subject to change without notice.

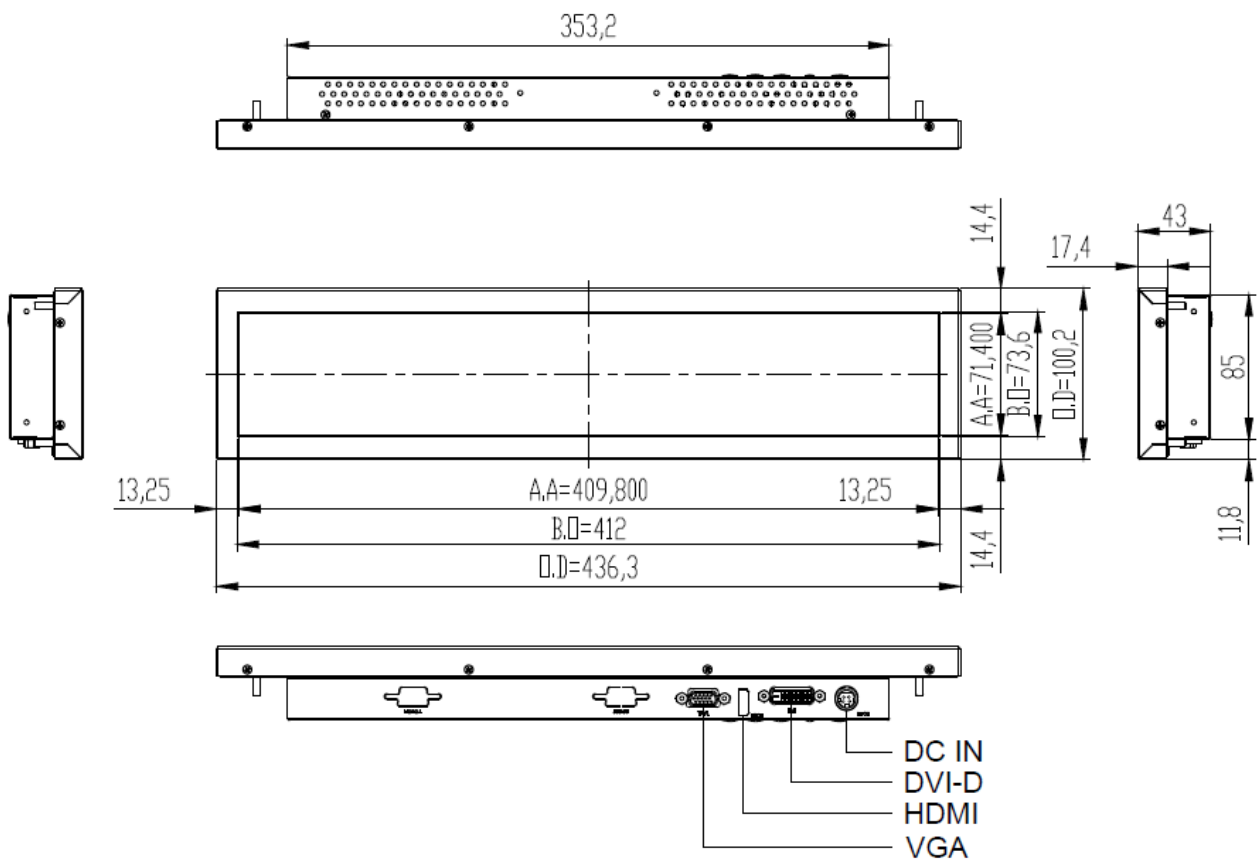
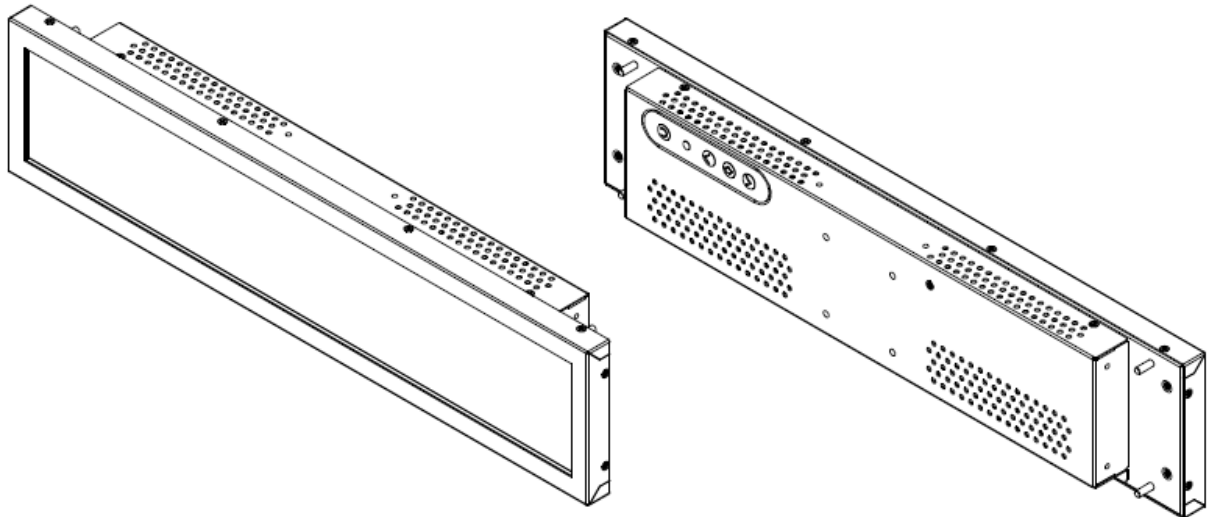
All brands or product names are trademarks or registered trademarks of their respective companies.



Mechanical Drawing

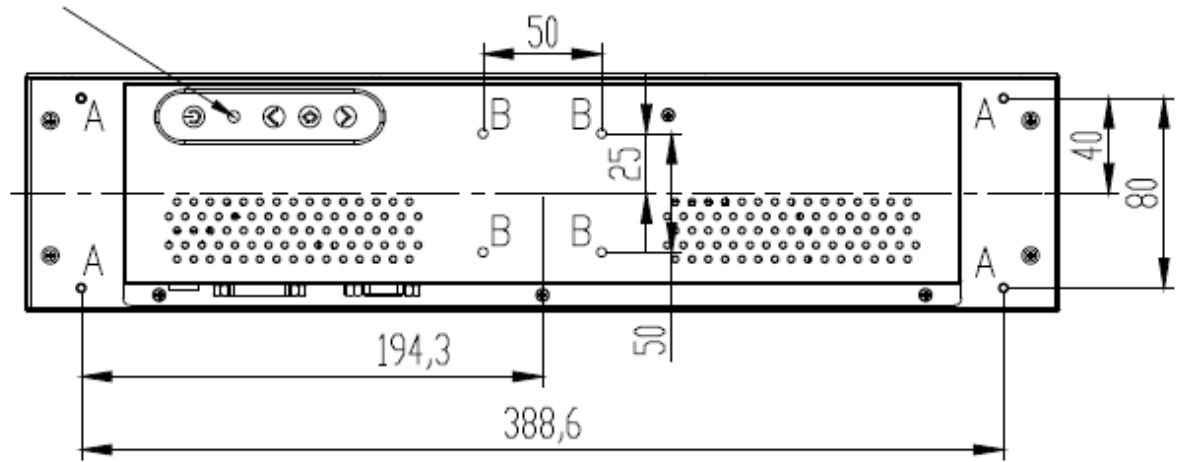
Outline Dimensions

Unit:mm





4-KEY MEMBRANE



Note:

O.D : Outline Dimension

B.O : Bezel Opening

A.A : LCD Active Area

A:4-M4 FH L=11mm

B:4-M4 USER HOLE _MAX. DEPTH=5mm



Ordering Information

| Part Number | Description |
|-----------------|--|
| SSD1624-BNB-Q01 | 16.3",350nits,1366*238,AD8891GDH w/LID,O/B,DC12V,2in1,V1 |
| | |

Optional Accessories

| Part Number | Description |
|--------------|---|
| 840612051212 | ADAPTER,AC/DC,12V/5A,60W,Power-Din-4P,CWT,G99-ABF060F-N022,Efficiency-level-6,R |
| 810618301010 | CABLE,POWER,AC,1830mm USA type |
| 810618301090 | CABLE,POWER,AC,1830mm Europe type |
| 810618301050 | CABLE,POWER,AC,1830mm UK type |
| 810618301170 | CABLE,POWER,AC,1830mm Australia type |
| 810618301031 | CABLE,POWER,AC,1830mm Japan type |
| | |

Customer request

| | |
|-------|---------------------------------------|
| Touch | SCT (Single-Touch), PCT (Multi-Touch) |
| Glass | Tempered glass, AR coating..... |
| | |