

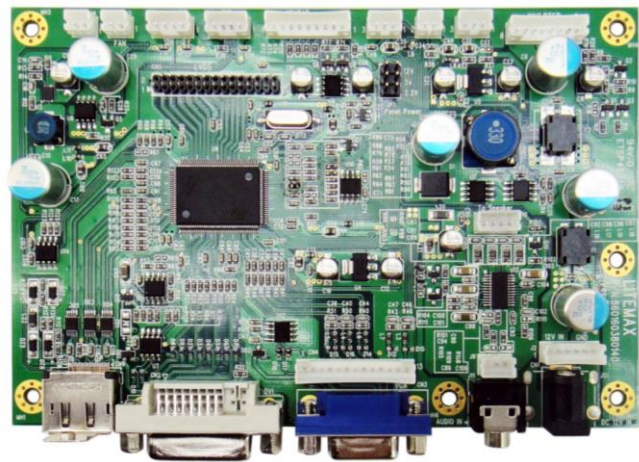
AD6038GDPA

Display Control Board, WUXGA

AD6038GDPA is a high integrated display controller solution for producing real time, top quality digital video and computer graphic images on LCD panel. The AD6038GDPA provides an ideal interface between industry standard digital graphics controllers and a wide variety of LCD panel devices. It has a display port, DVI-D and VGA input. Rev.1 is European RoHS compliant., resolution can support all coming VESA modes and up to WUXGA (1920x1200)

Key Features

- Maximum resolution WUXGA (1920x1200)
- Support dual pixel (48bits) LVDS and single pixel (24bits) LVDS
- Support refresh rate up to 75Hz, compatibility with standard VESA specification
- Support non-linear scaling from 4:3 to 16:9 or 16:9 to 4:3
- DisplayPort 1.1a compliant
- Video input: DisplayPort, DVI & VGA input
- Dual/single LVDS interface
- Support Panel DC5V or 3.3V, 12V Output
- OSD Control
- Inverter Analog or PWM Dimming Control
- *External V.R. brightness control (optional)
- *External light sensor brightness control (optional)
- *External RS232 control (optional)
- Audio in and b2Wx2 Audio Out(optional)



Specifications

Model No.	AD6038GDPA
Chip	St6038
Max. Resolution	WUXGA (1920x1200)
Interface	Single (24bits) / Dual (48bits) LVDS
Input Power	DC 12V
Panel Power Selection	3.3V, 5V, 12V
Video Input	VGA, DVI, Displayport
Light Sensor	Yes
IrDA	Yes
Speaker	2W x2
External VR Control	Yes
Board Dimension	100 x 100 mm
F / R Control Button	<input type="checkbox"/> 5 Key <input type="checkbox"/> 4 Key
<input type="checkbox"/> 5 Key	Power Switch, Menu, Select (+,-), Auto
<input type="checkbox"/> 4 Key	Power Switch, Menu, Select (+,-),
OSD Menu	Brightness, Contrast, H/V Position, Color, Phase, Clock...

Specifications are subject to change without notice.

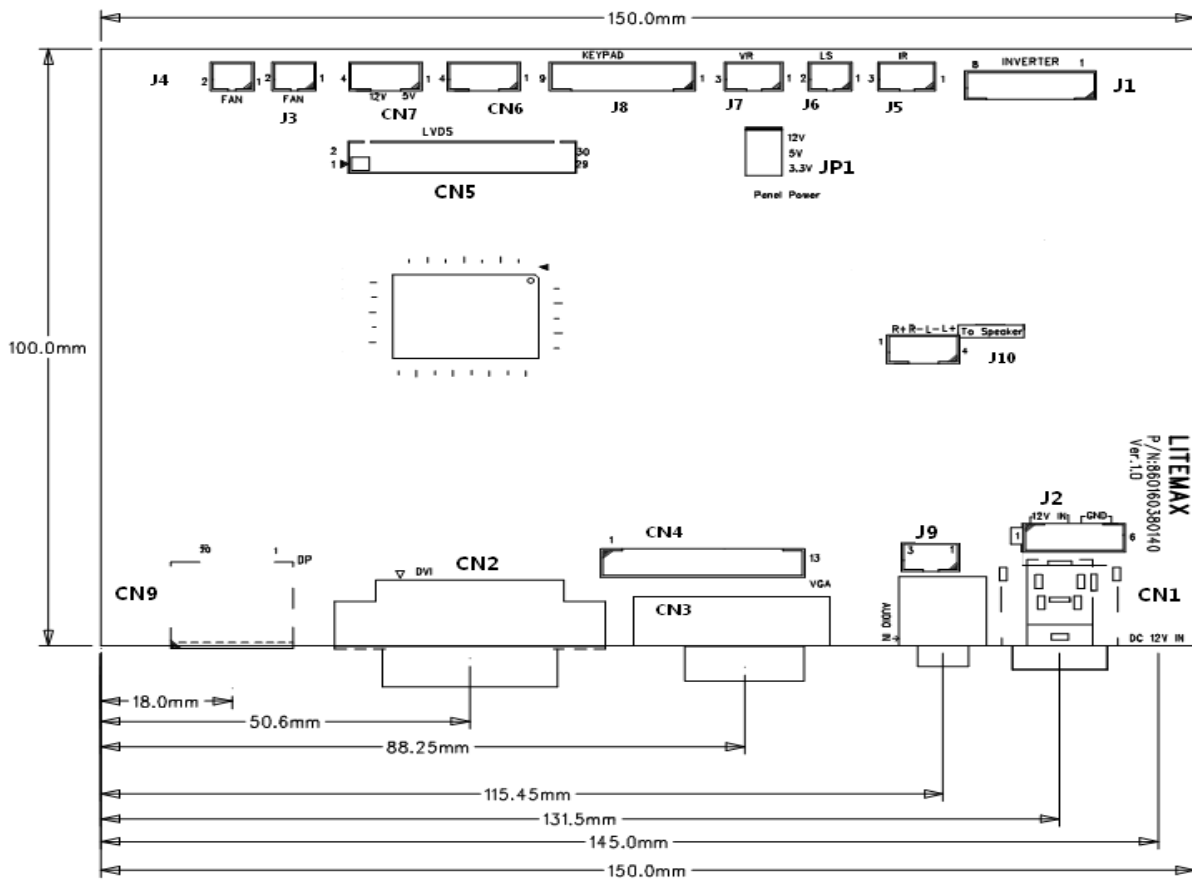
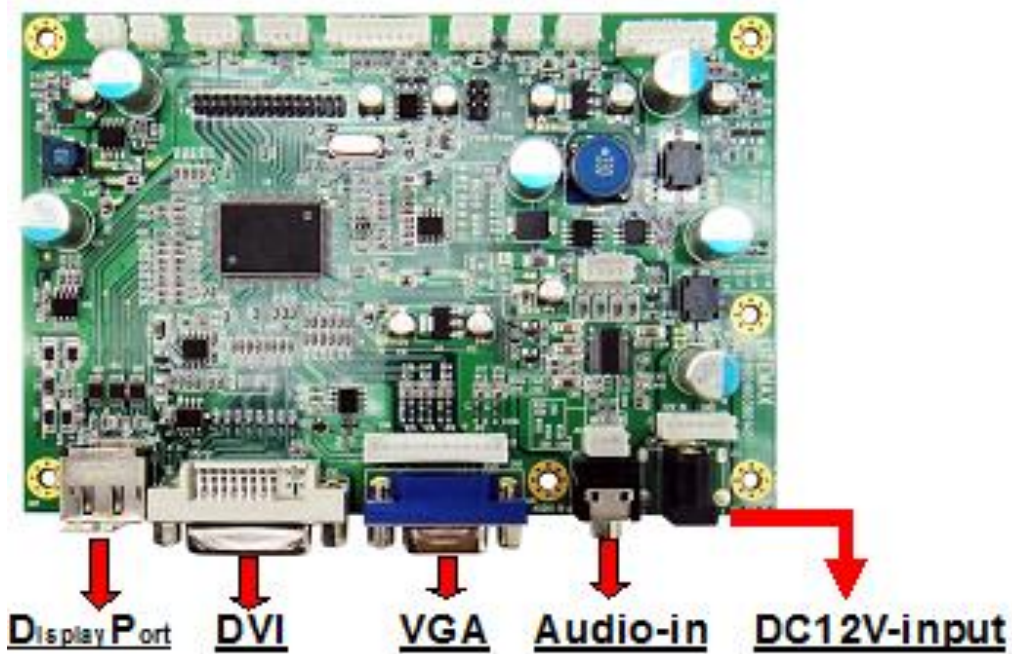
All brands or product names are trademarks or registered trademarks of their respective companies.

Mechanical Drawing

Outline Dimensions

Unit:mm

AD6038GDPA





Ordering Information

Part Number	Description
AD6038GDPA: 880160381010	PCBA,AD,AD6038GDPA,Ver1.0,WITH POWER DIN,P

Optional Accessories

Part Number	Description
980000020011	Light Sensor with cable
980000040010	VR with cable